



NOVEL PATENT SERVICES
Fostering Intellect

Patent Drawing services

**Utility Patent Drawing
Sample Drawings**

100

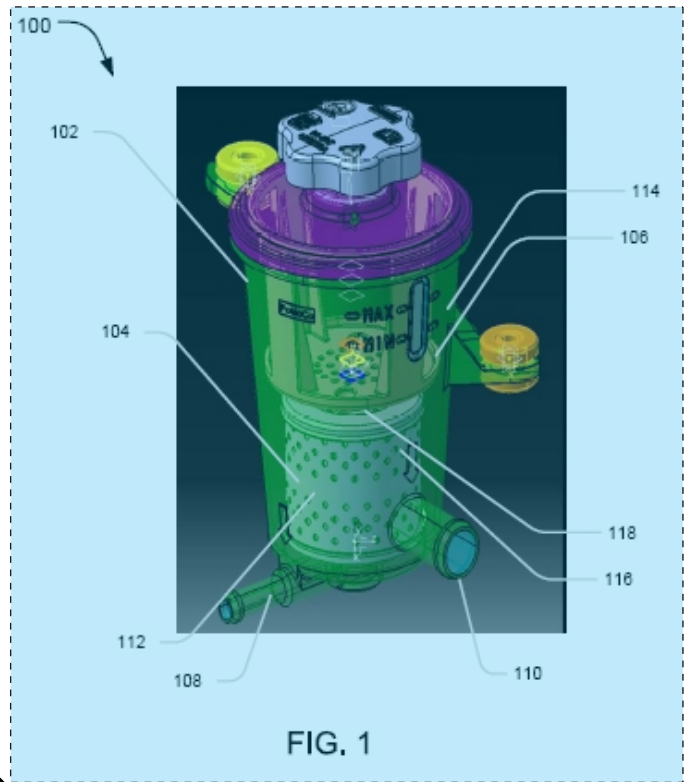
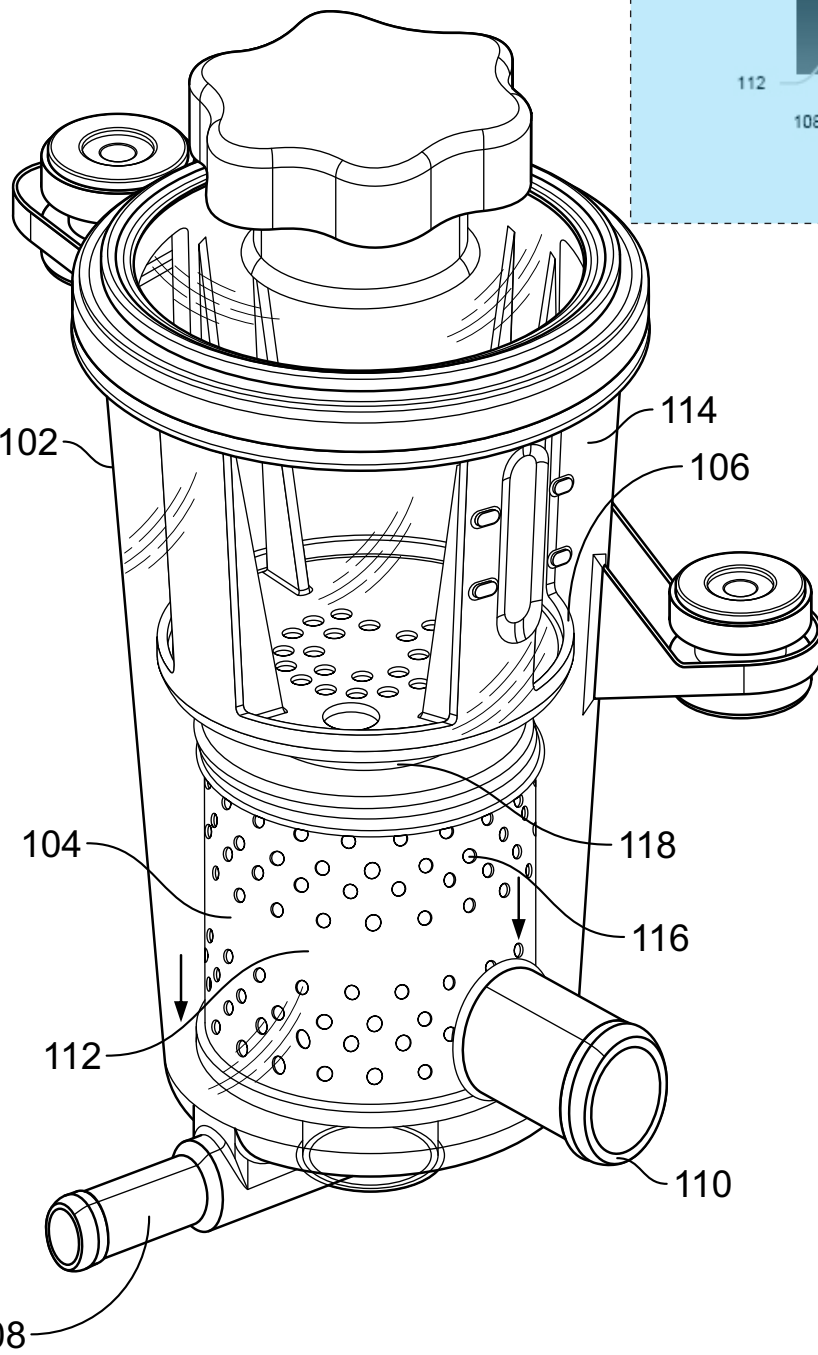
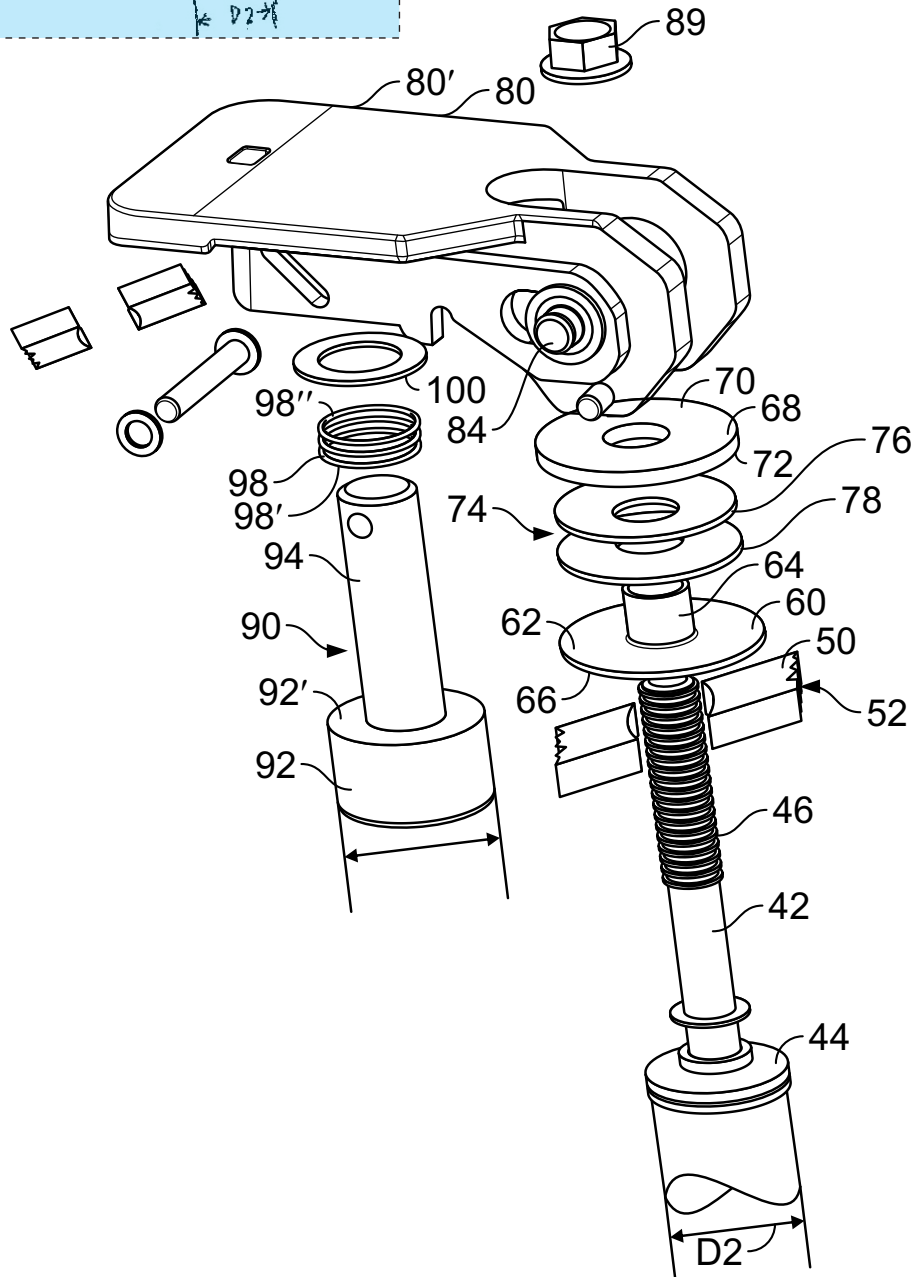
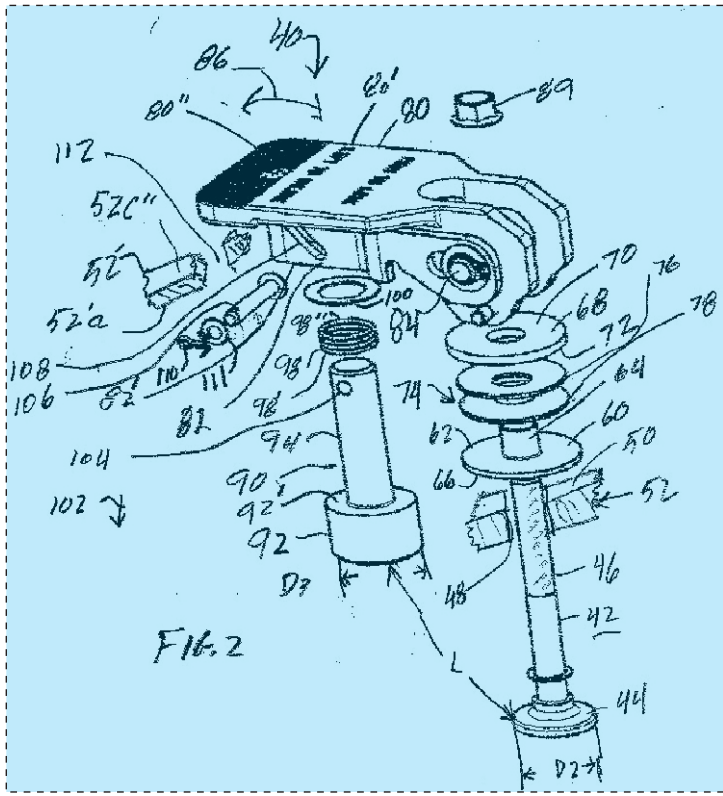
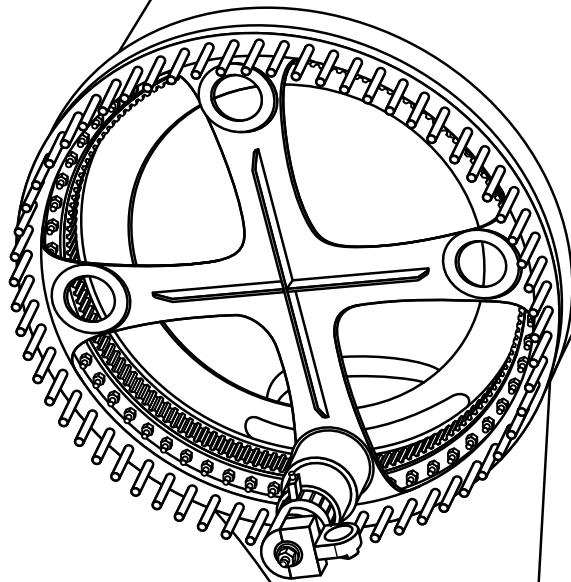
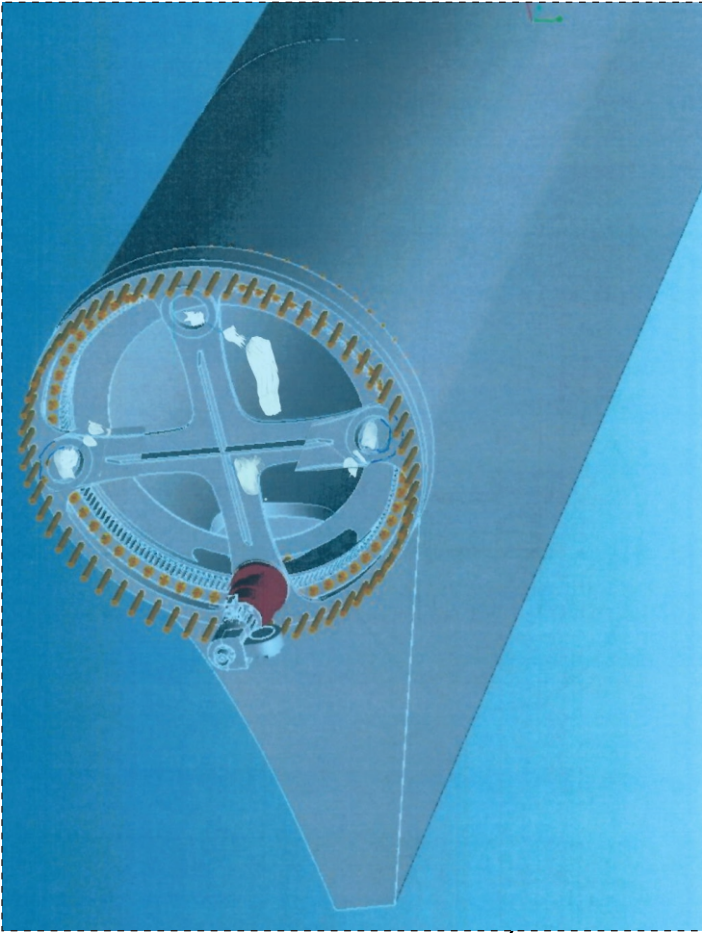
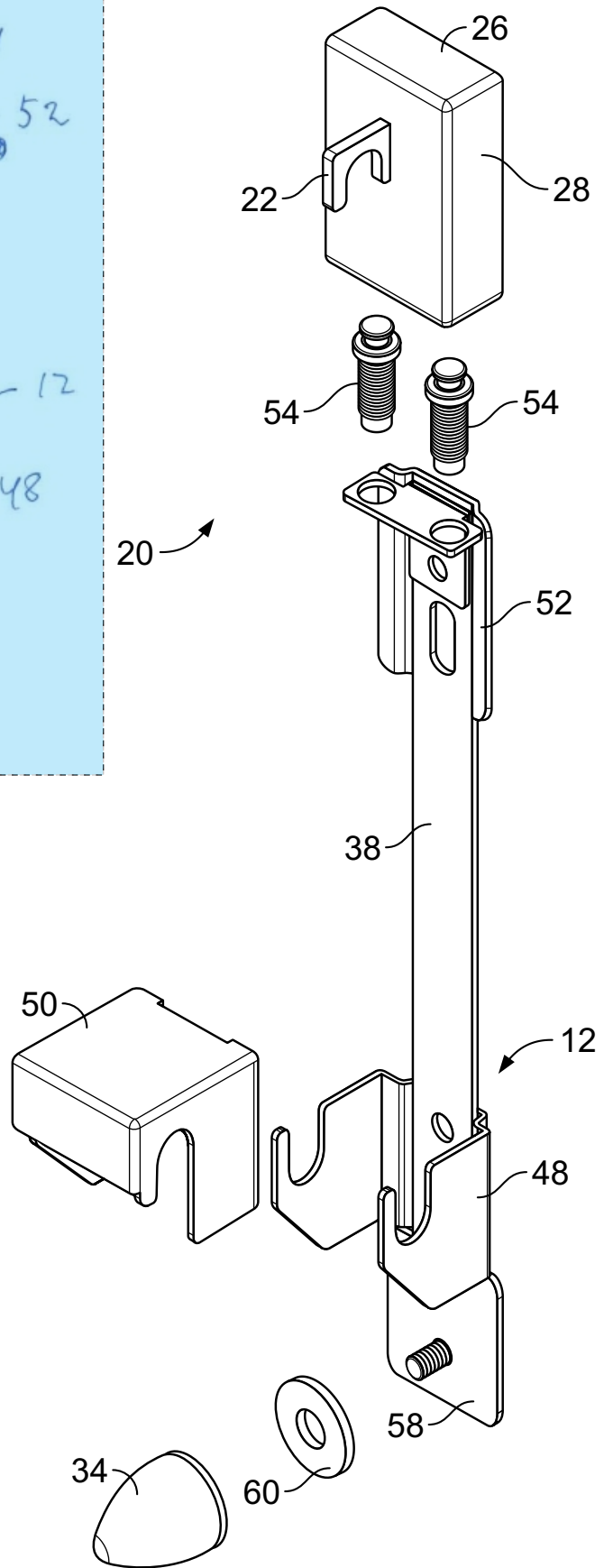
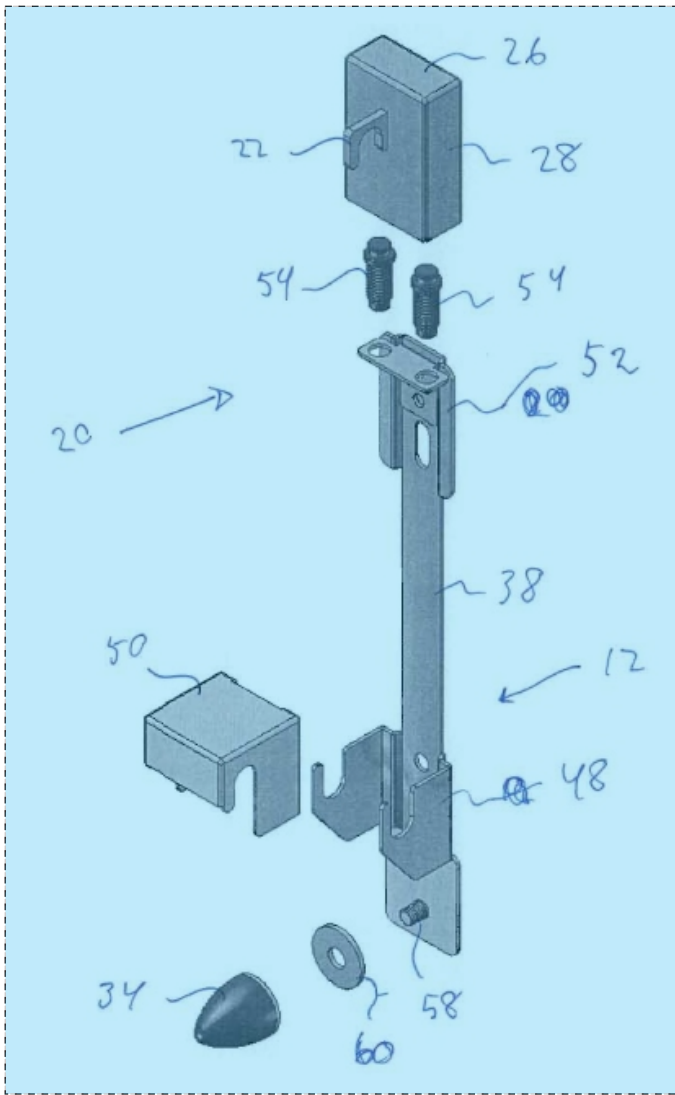


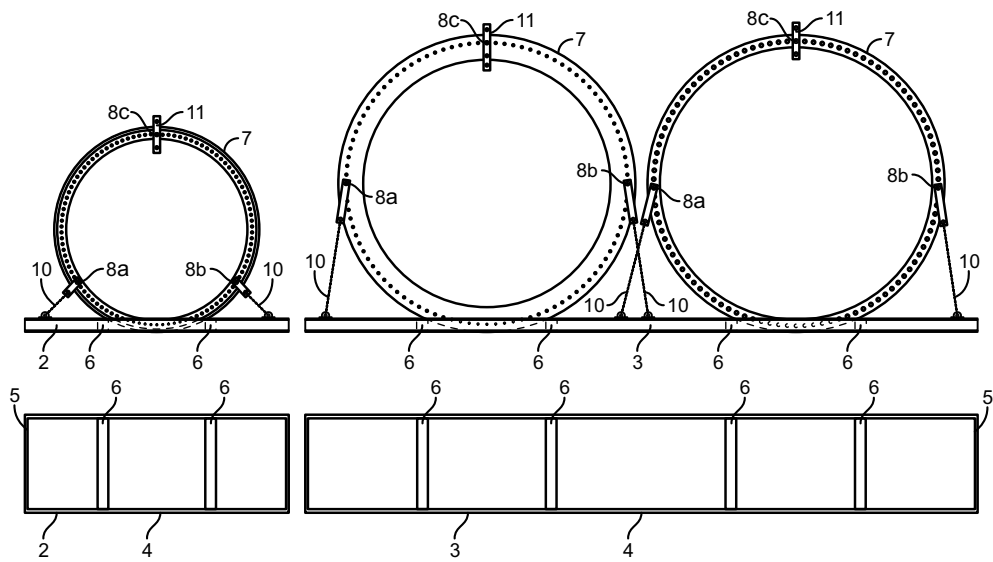
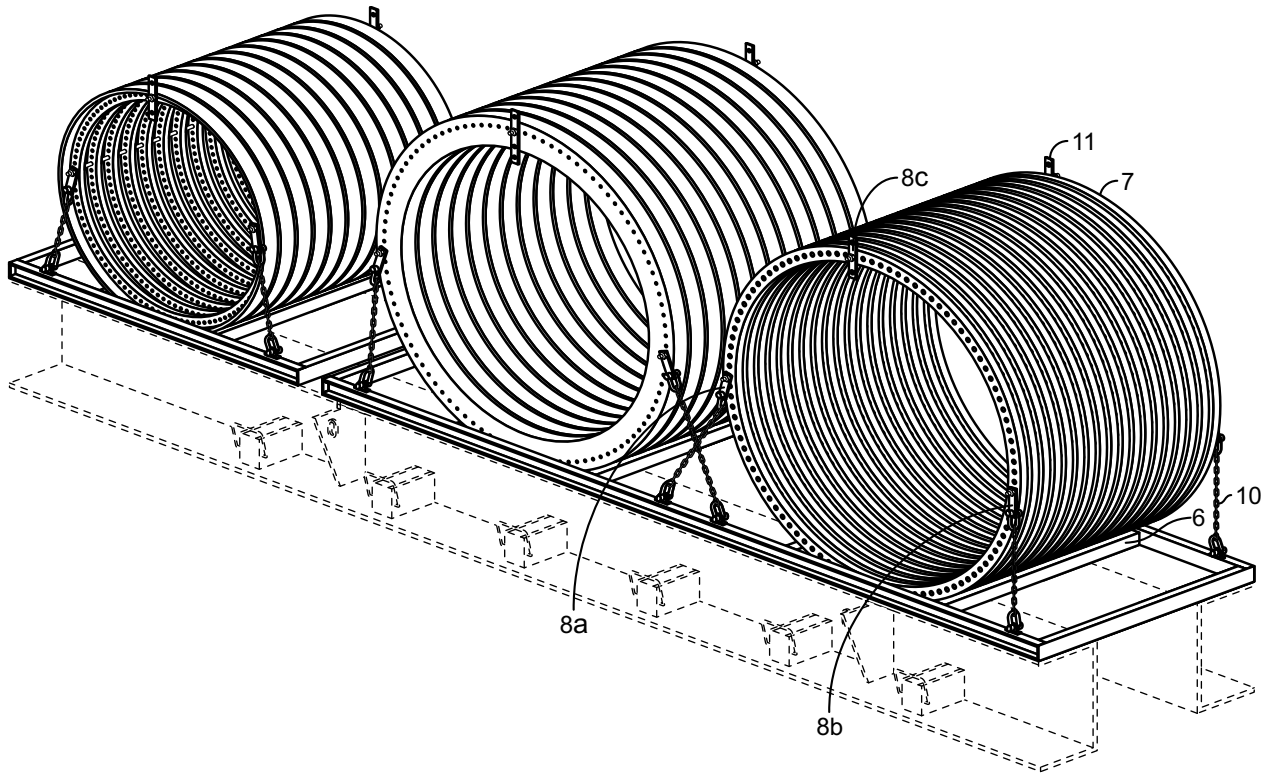
FIG. 1

FIG. 1









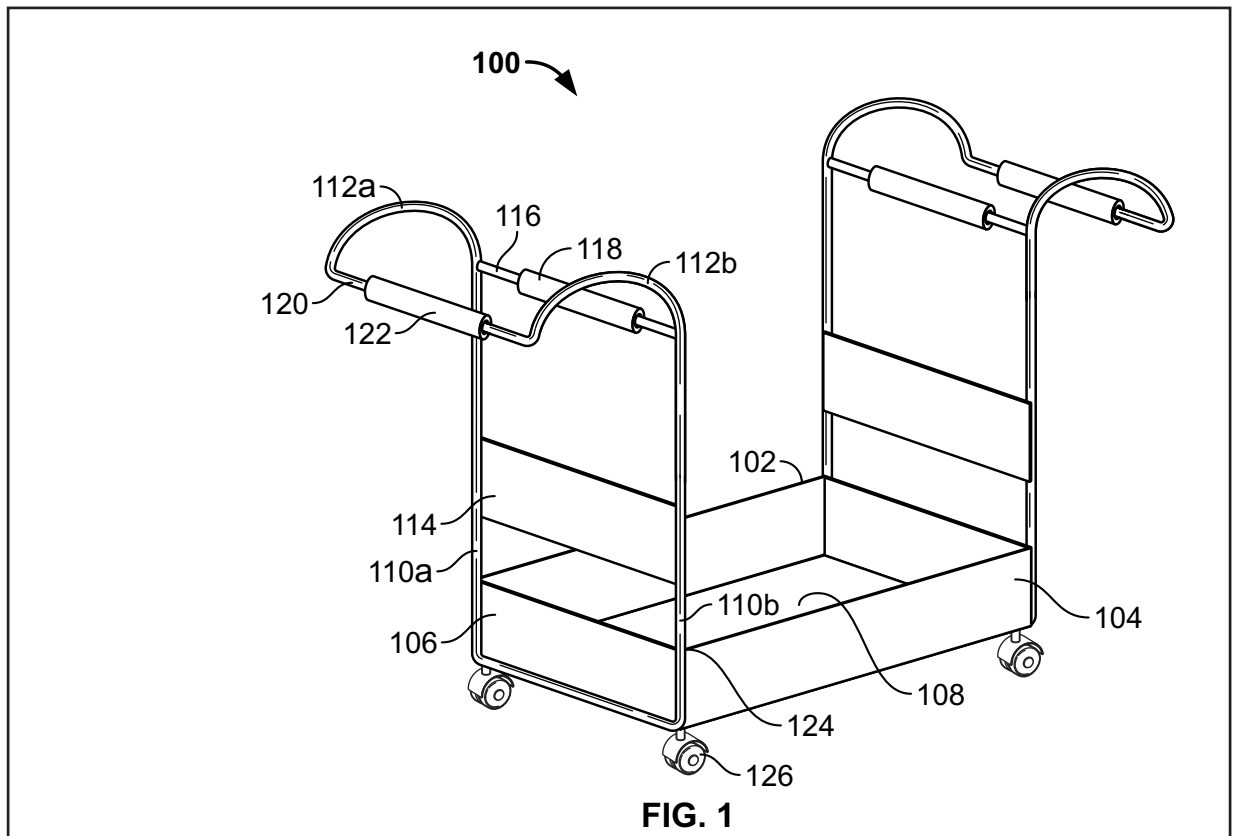
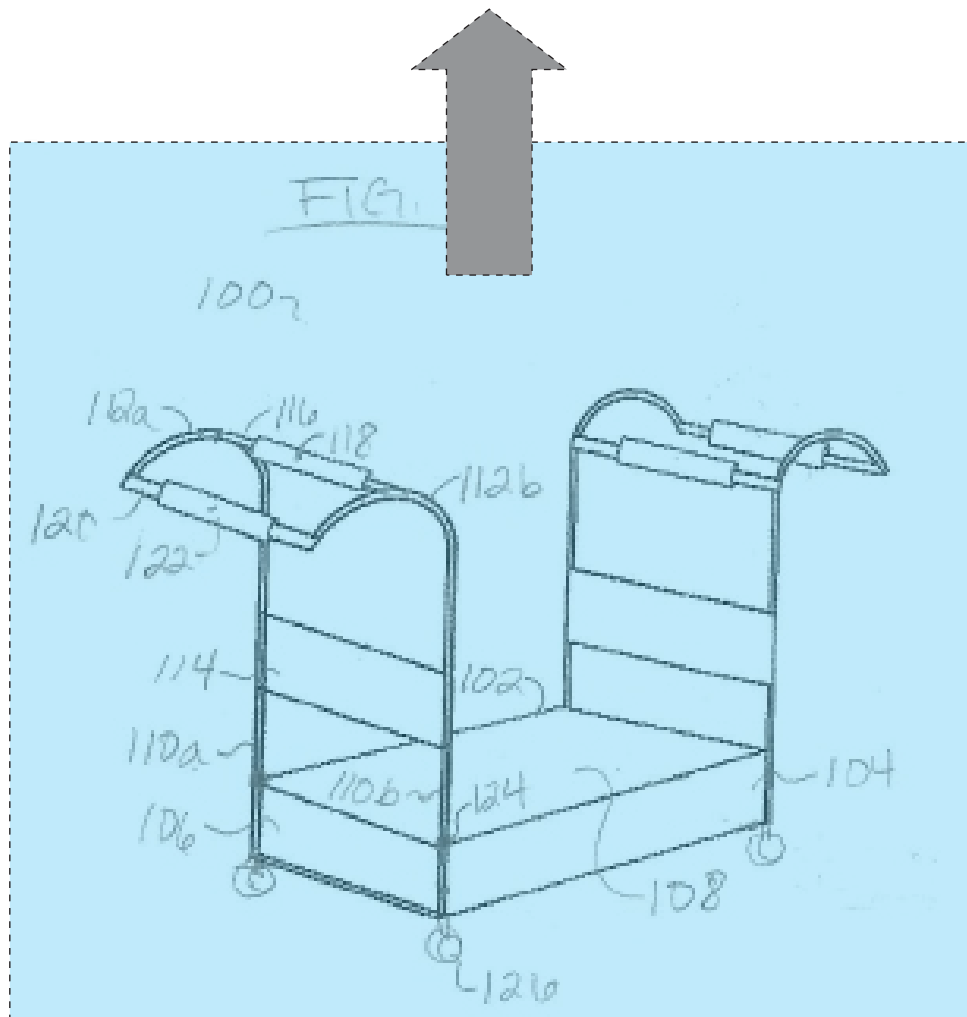
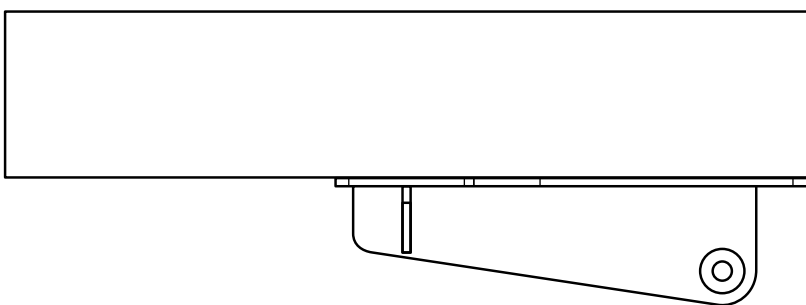
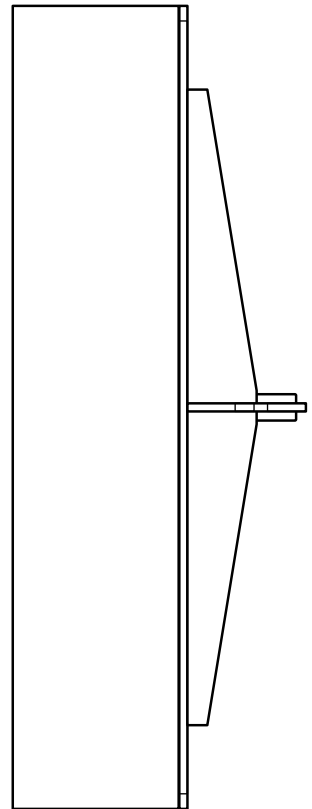
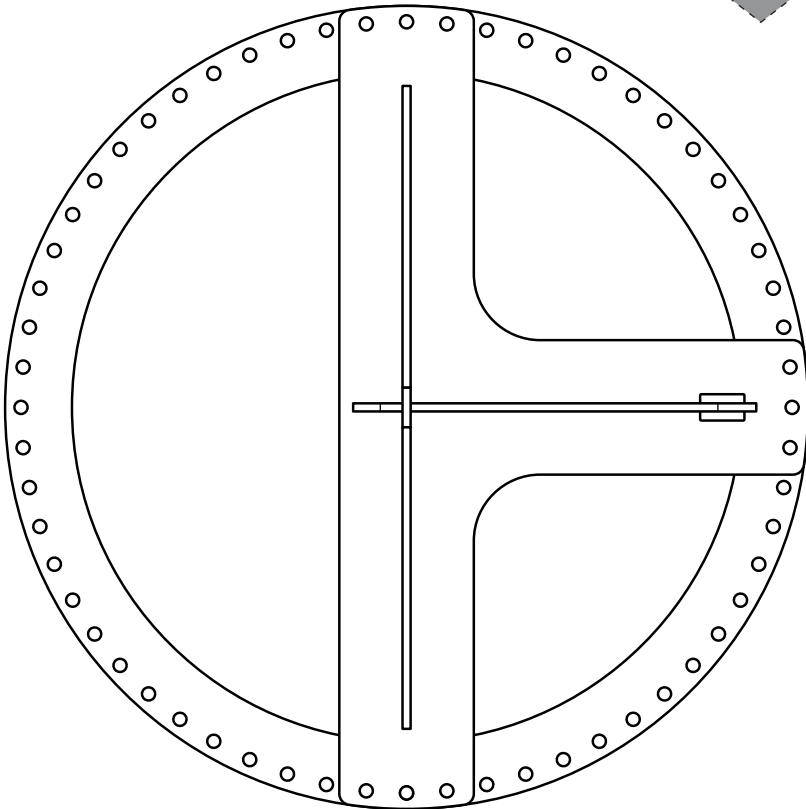
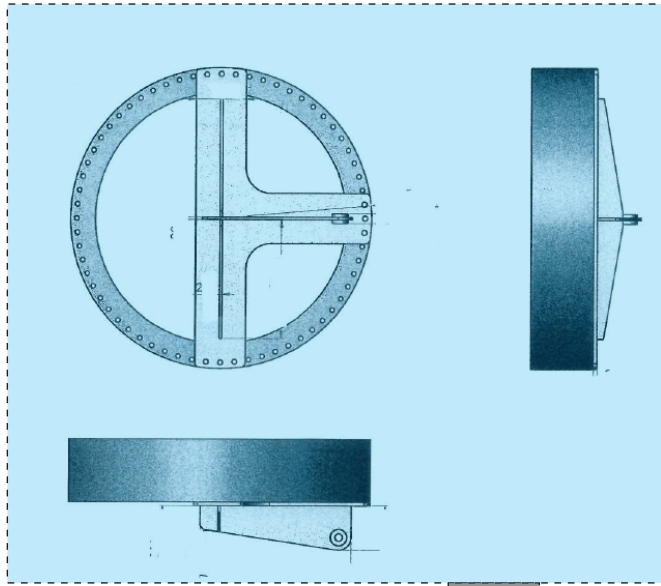
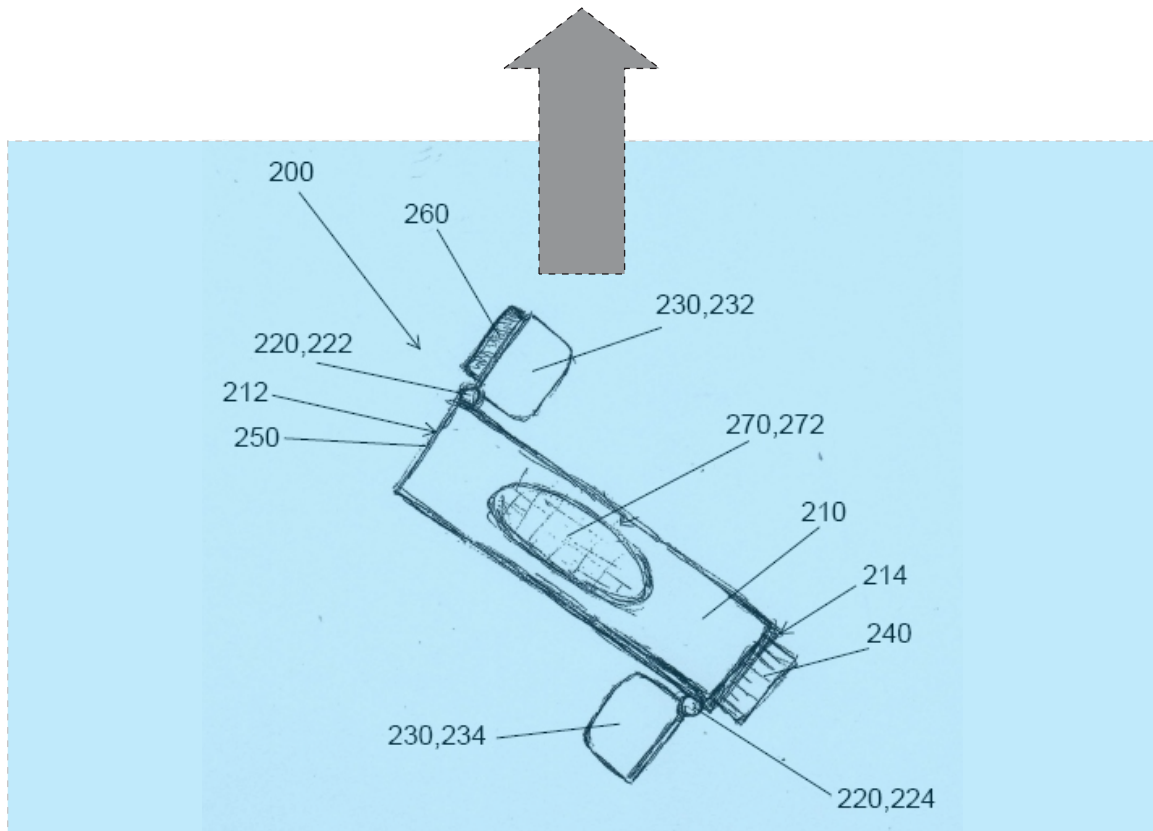
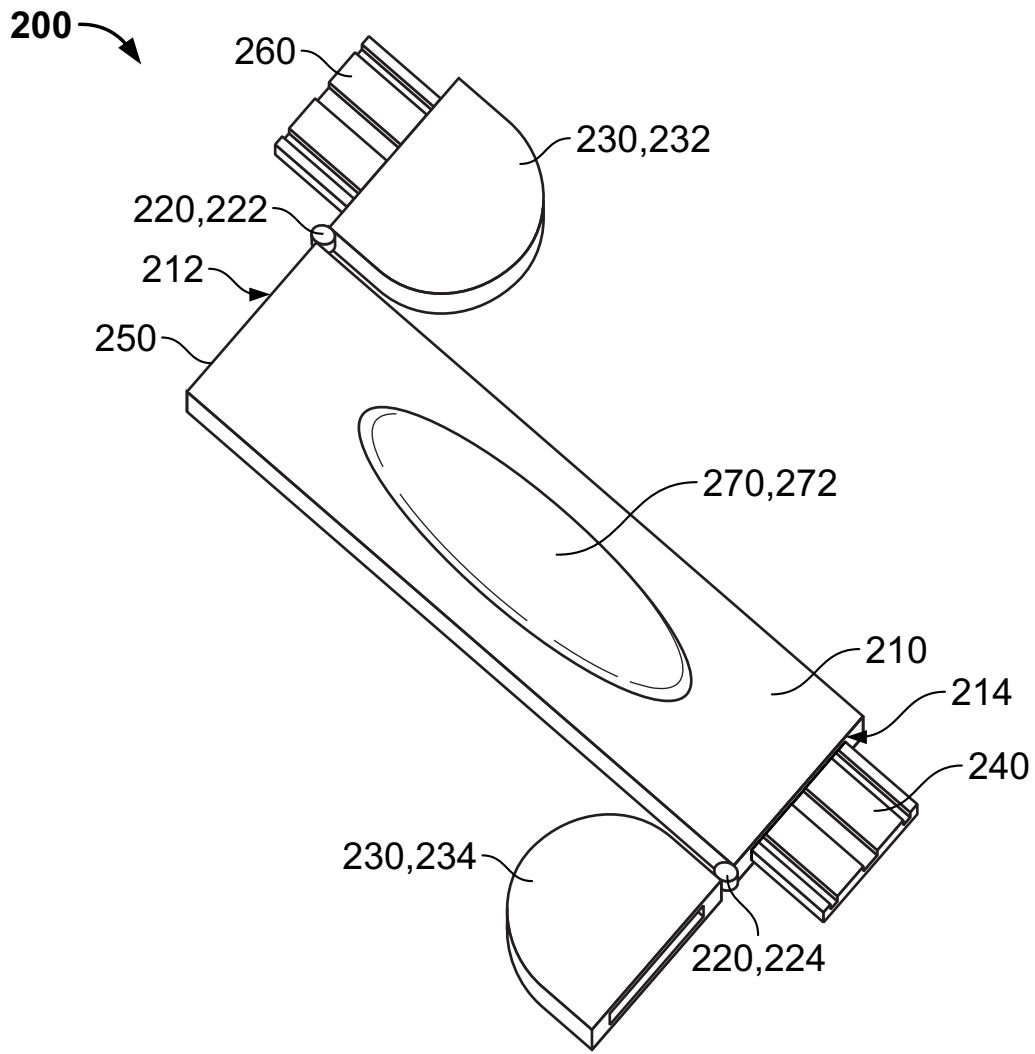
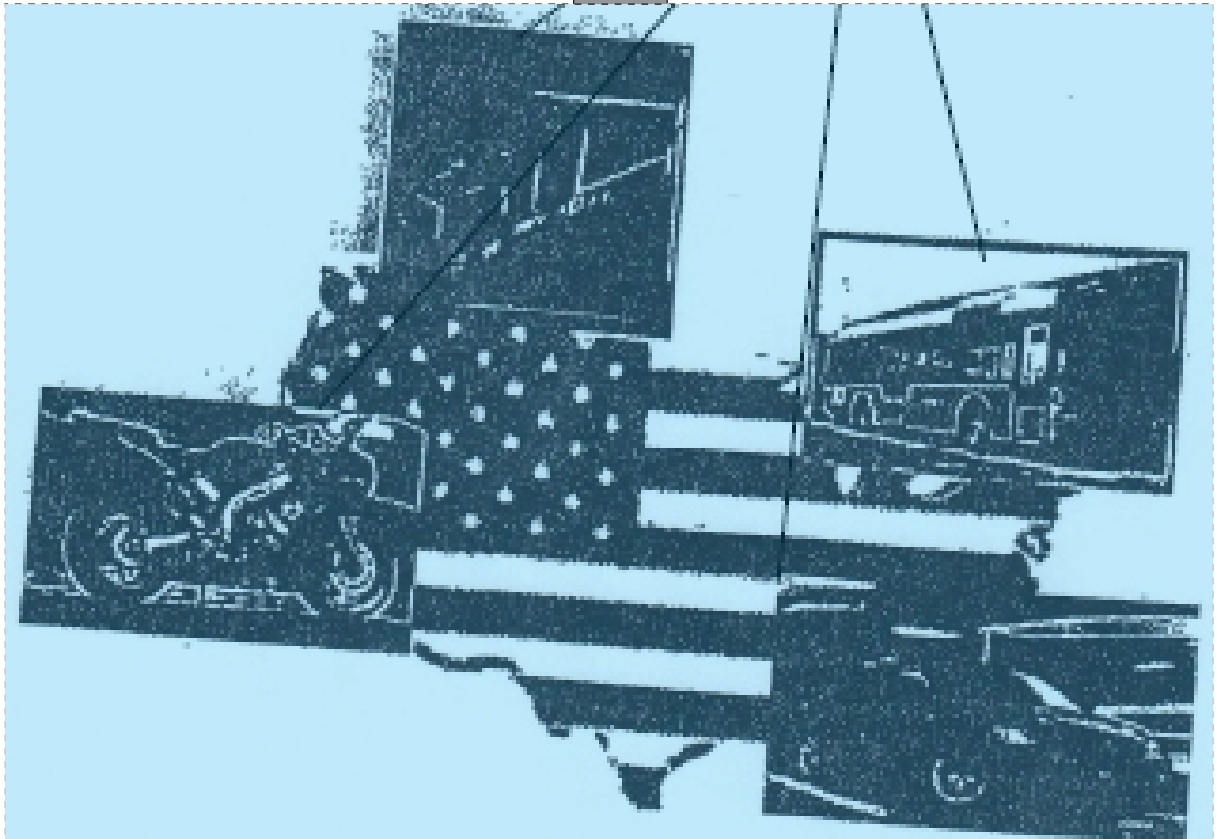
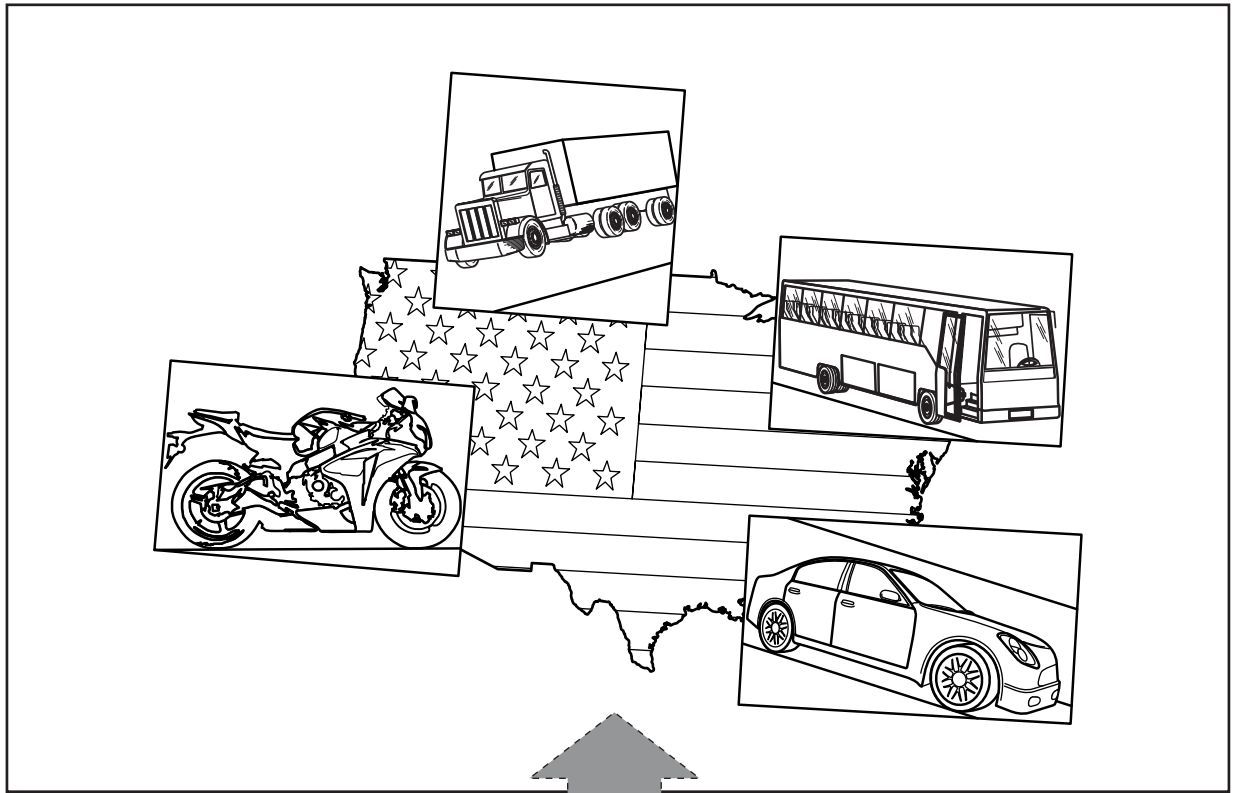


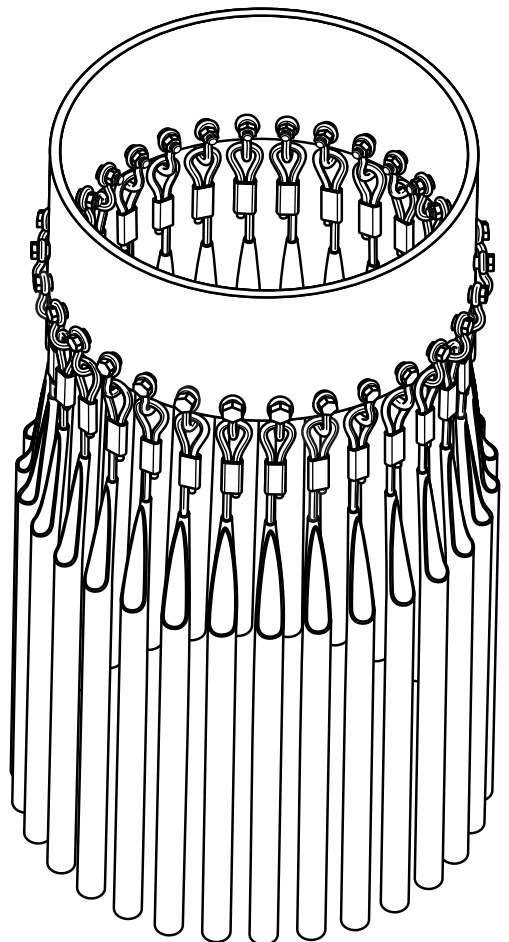
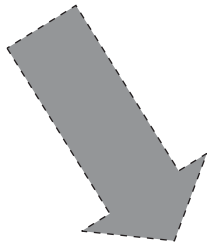
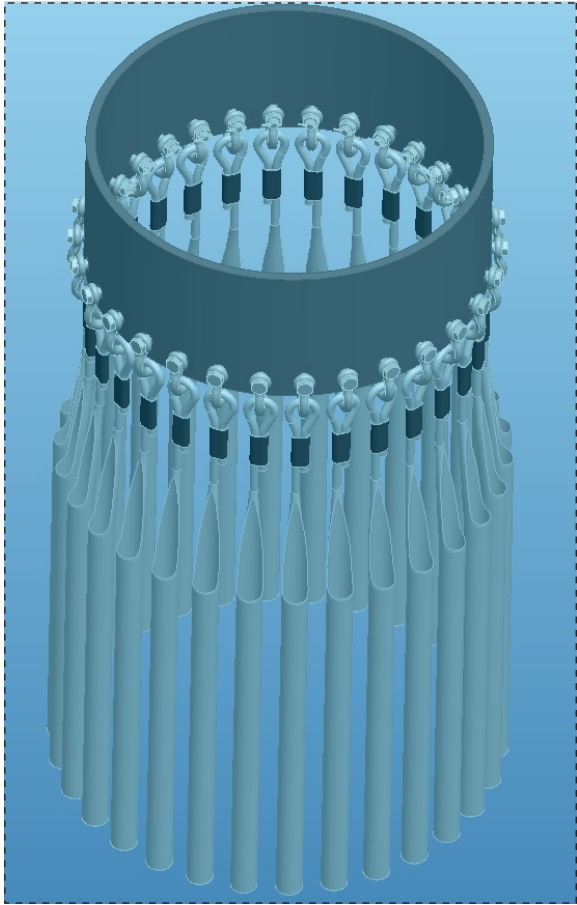
FIG. 1

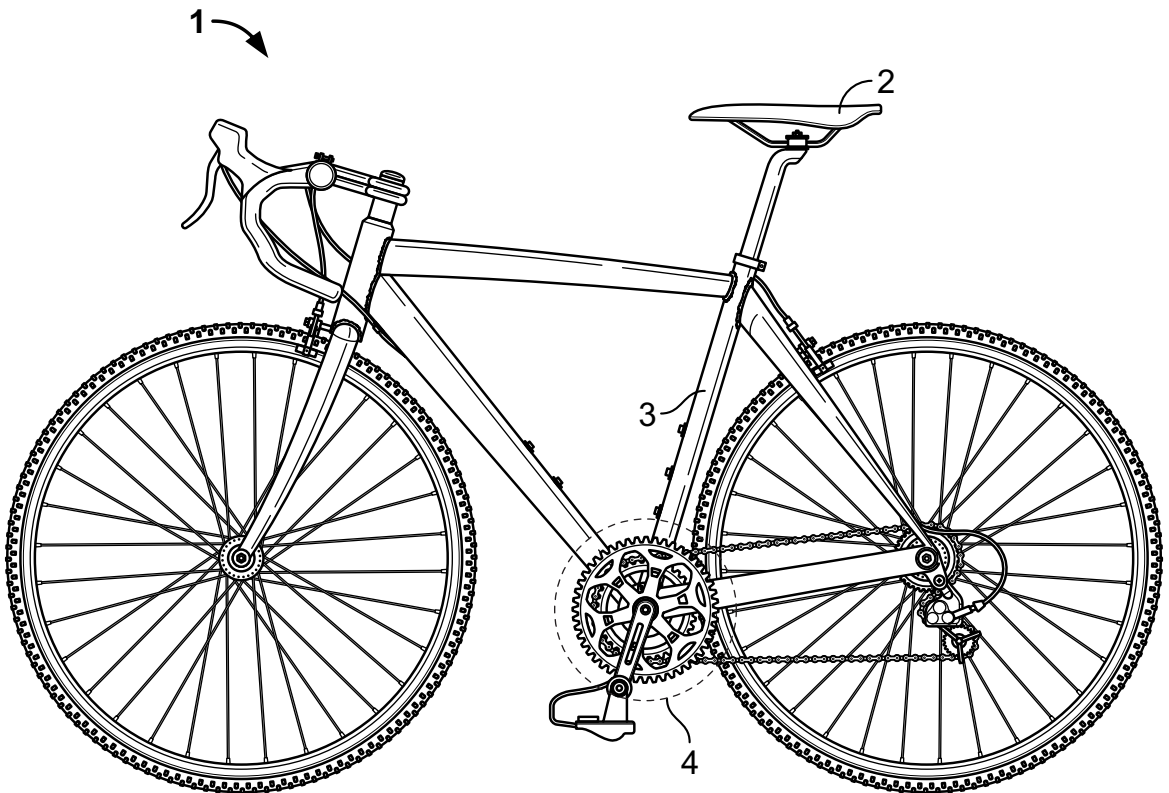
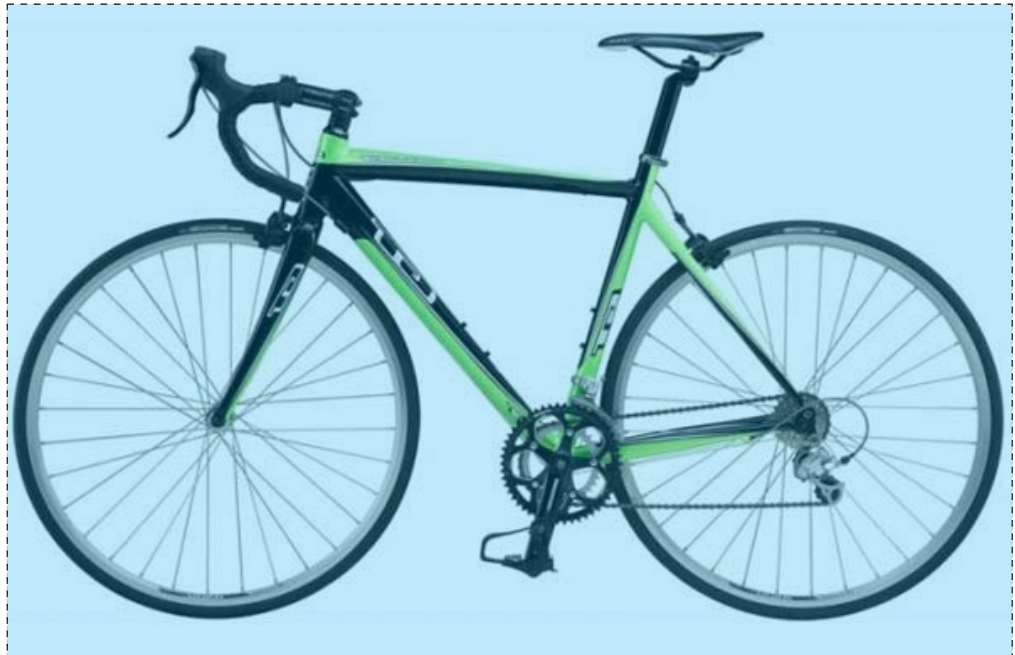












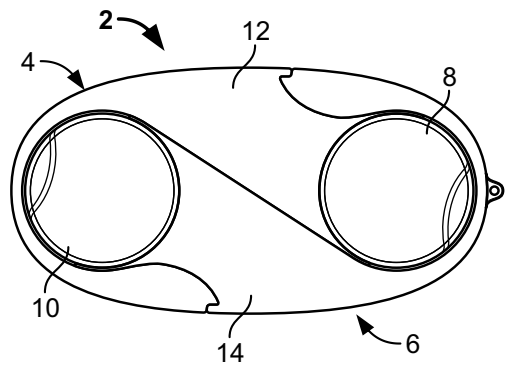
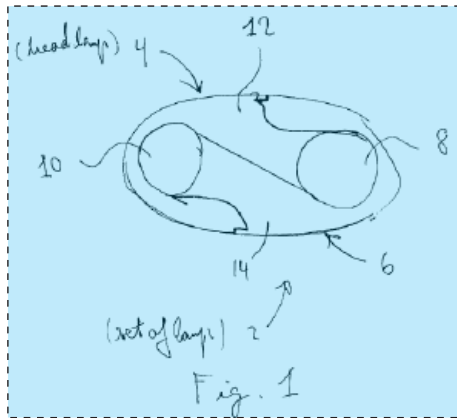


FIG. 1

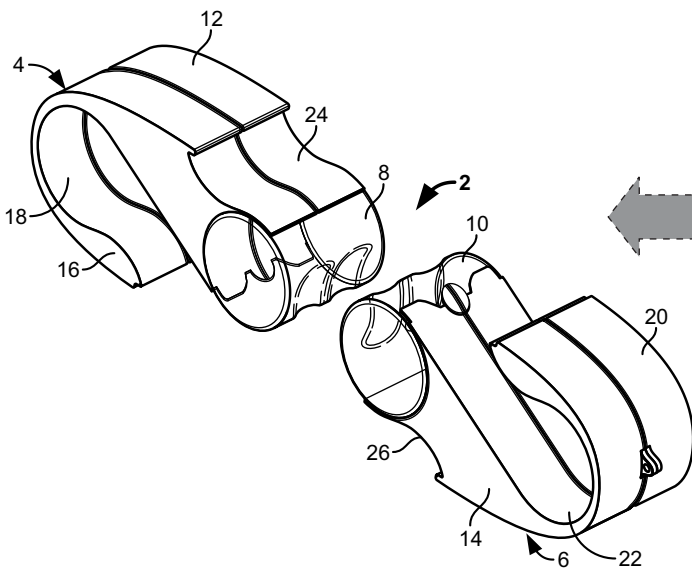


FIG. 2

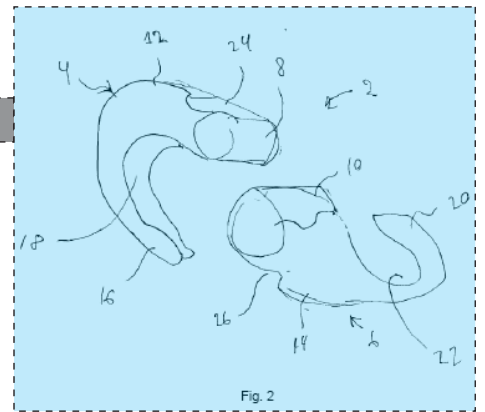


Fig. 2

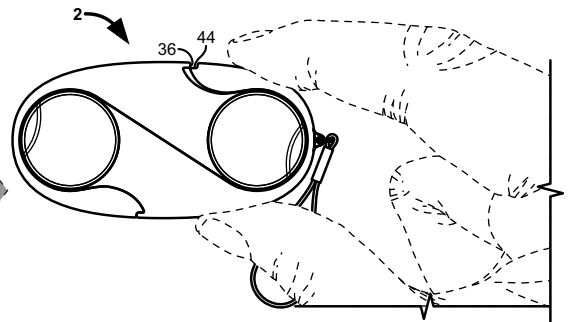


FIG. 6

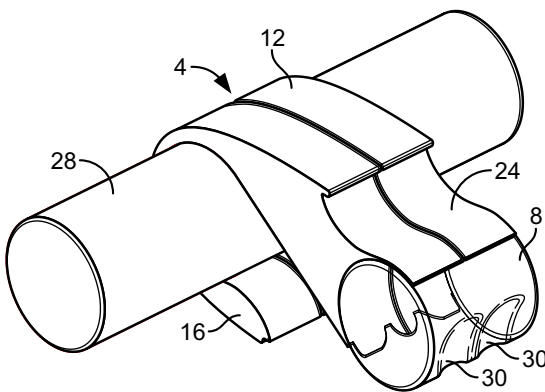


FIG. 3

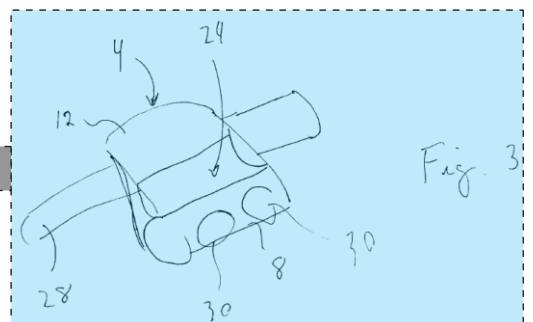
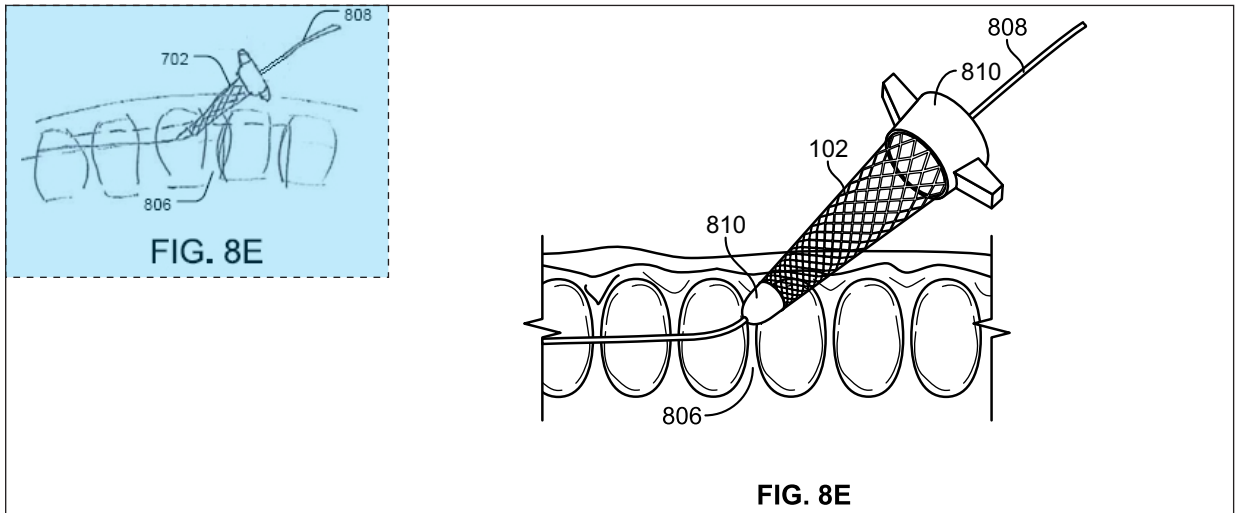
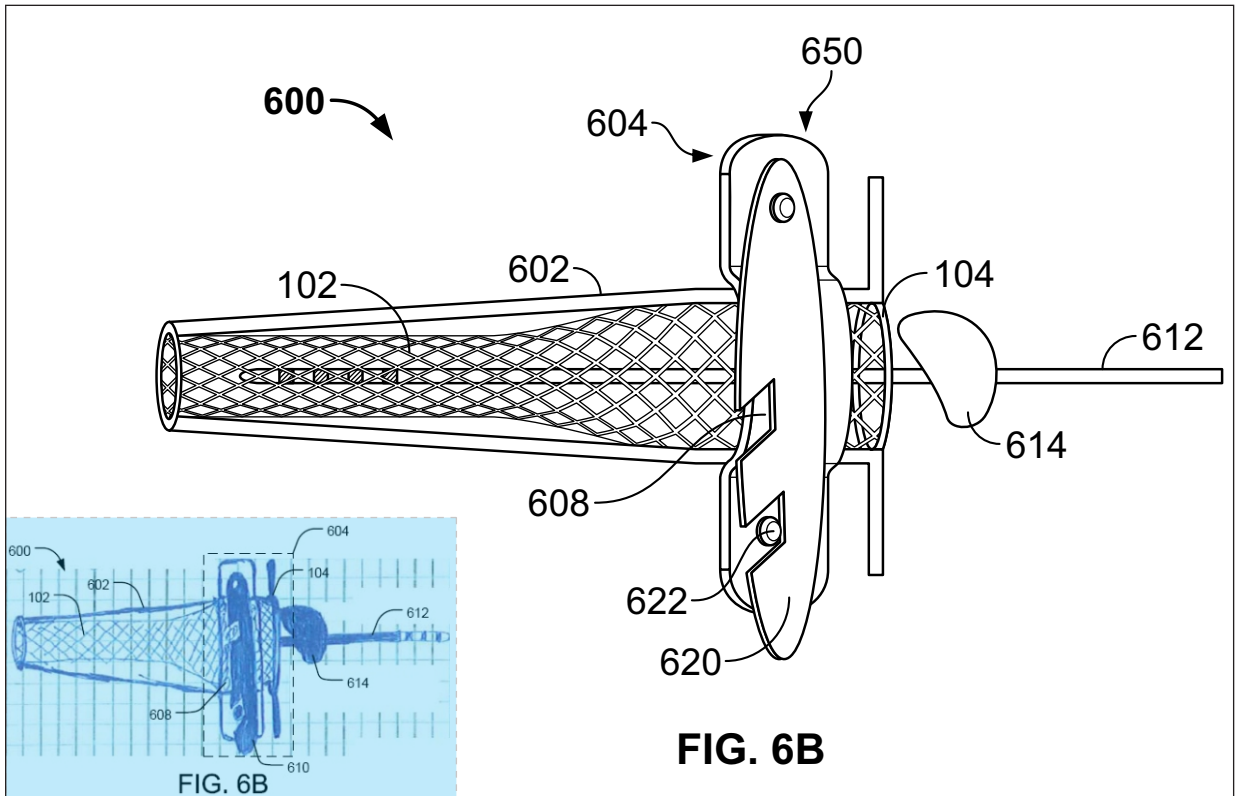
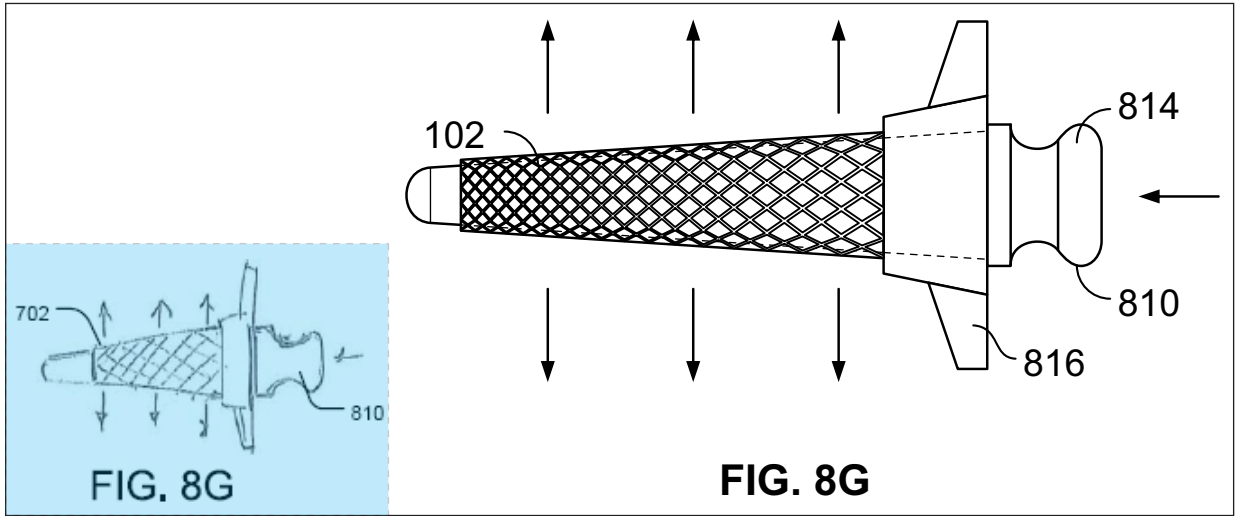
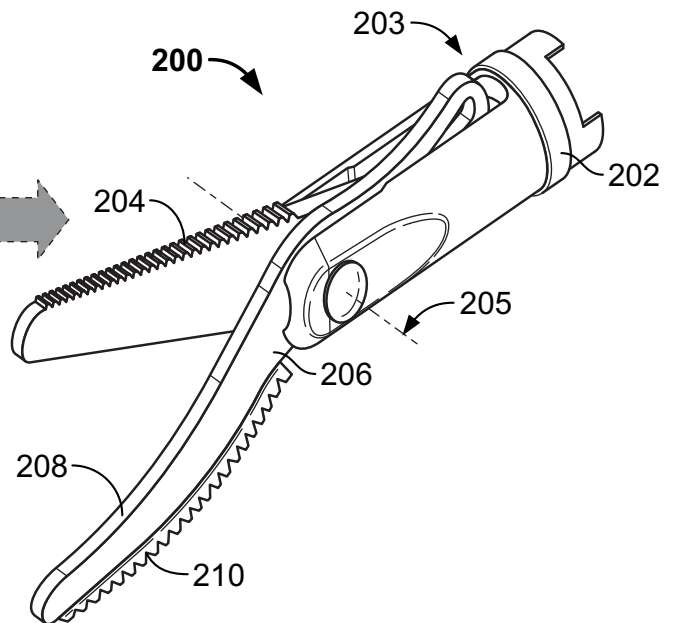
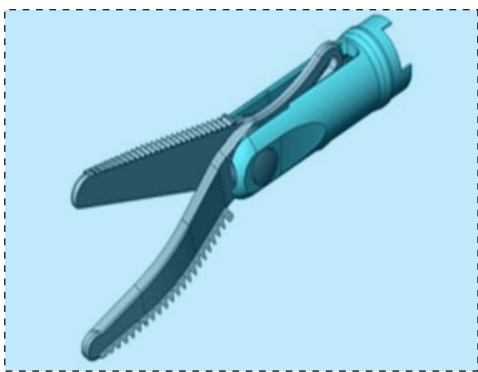
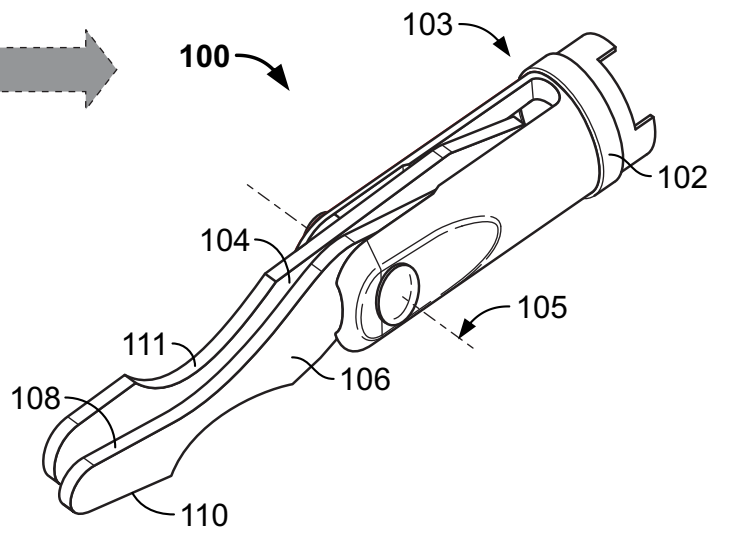
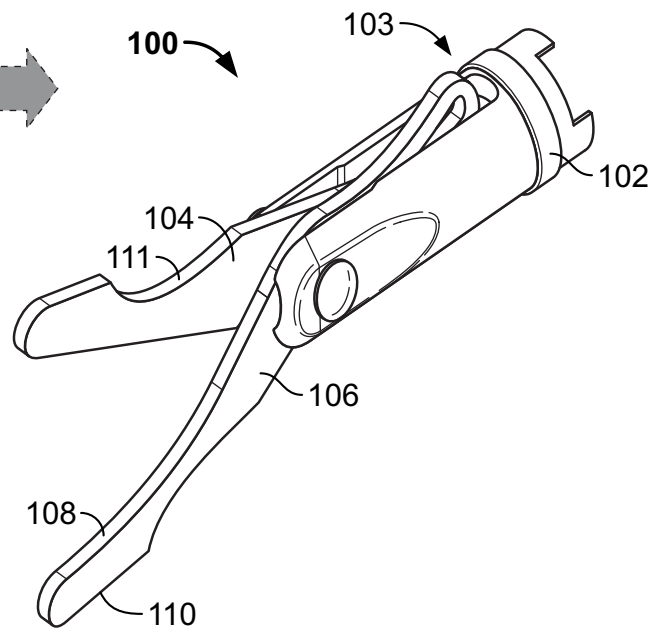


Fig. 3





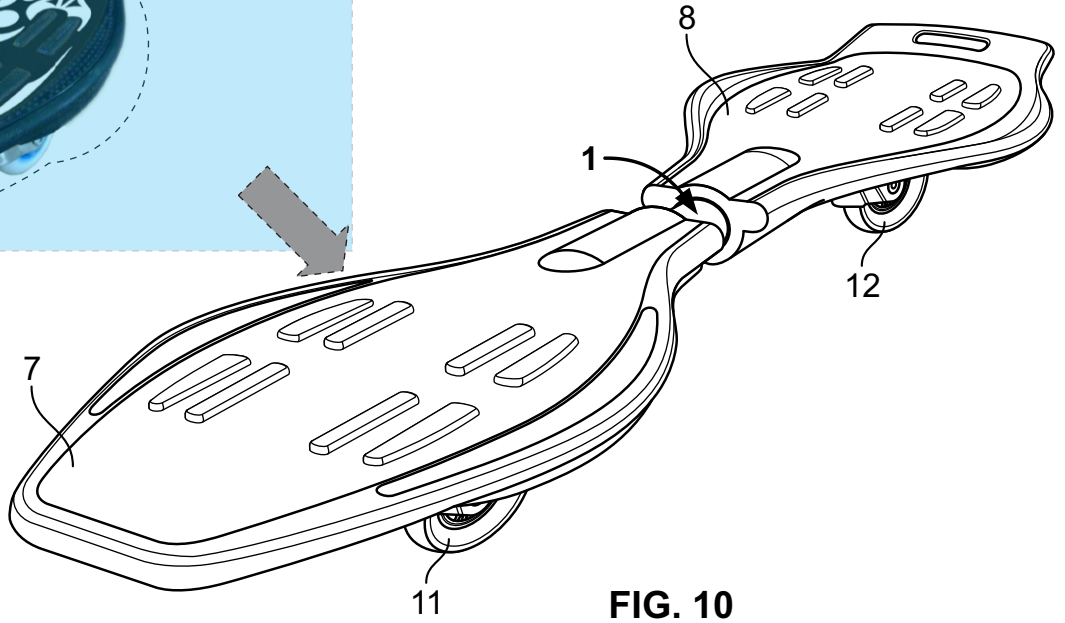
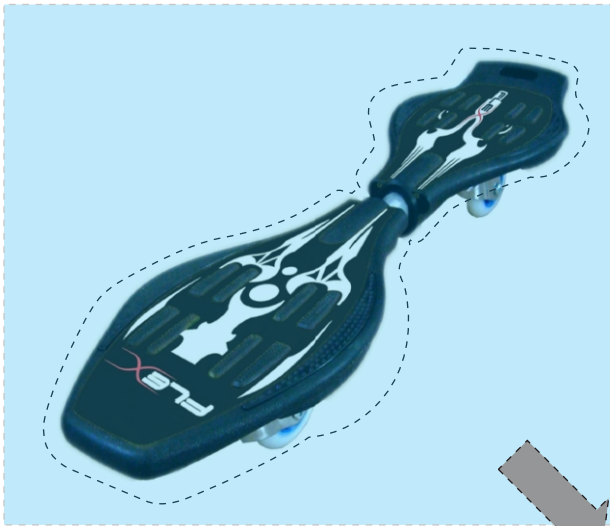


FIG. 10

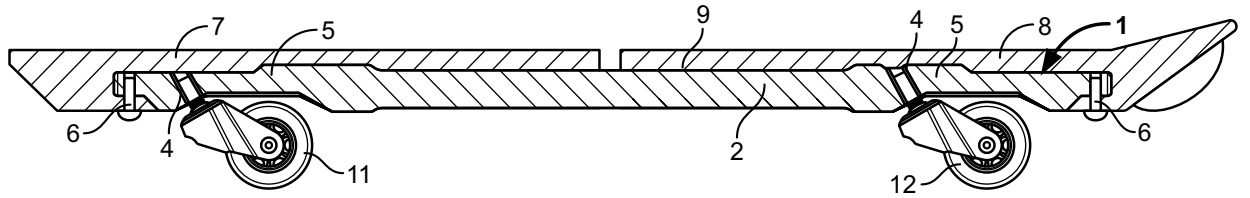


FIG. 1

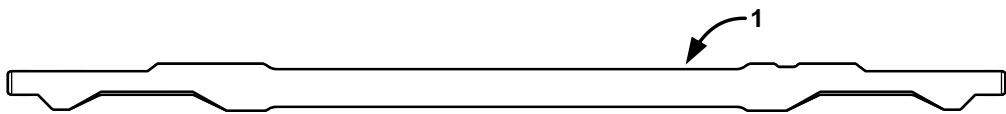


FIG. 2

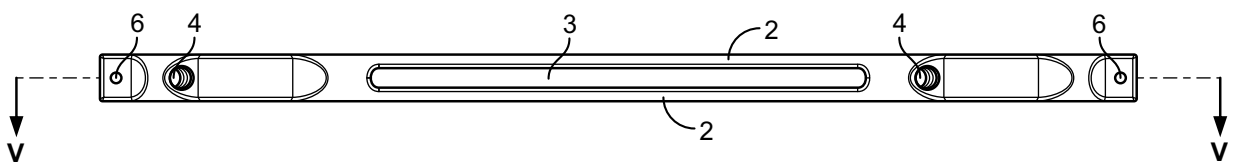


FIG. 4

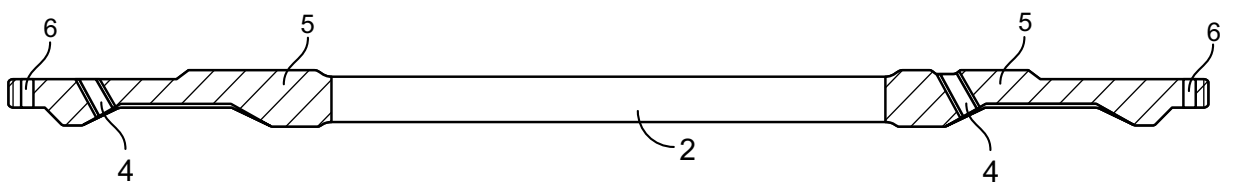


FIG. 5

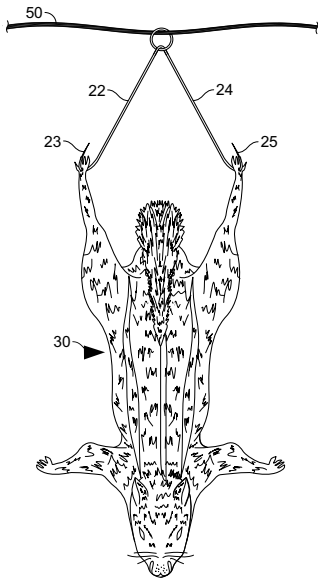


FIG. 2

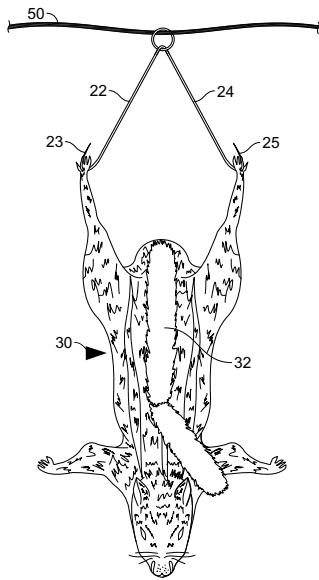


FIG. 3

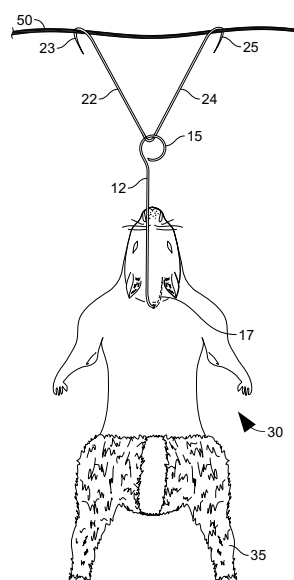


FIG. 4

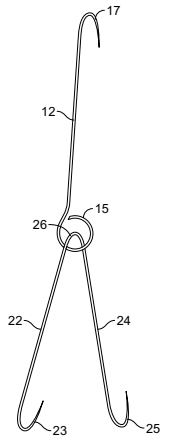
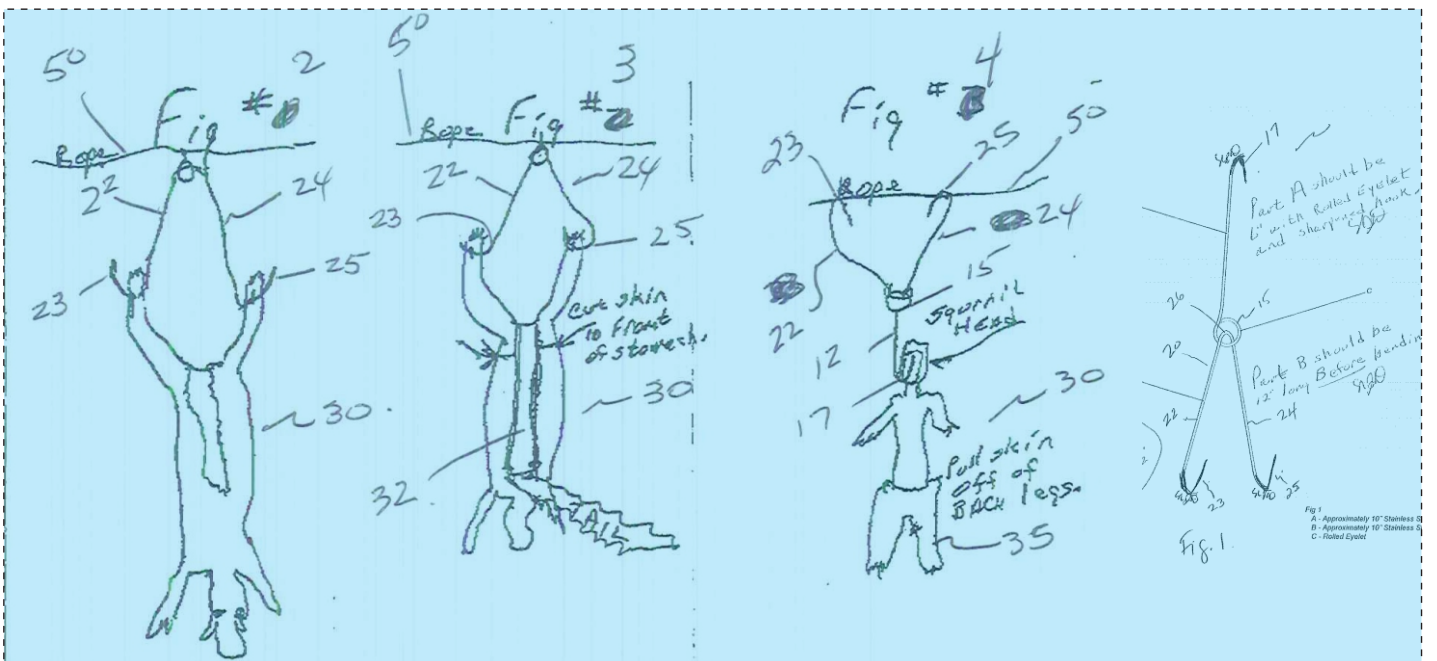


FIG. 1



SAMPLE-23

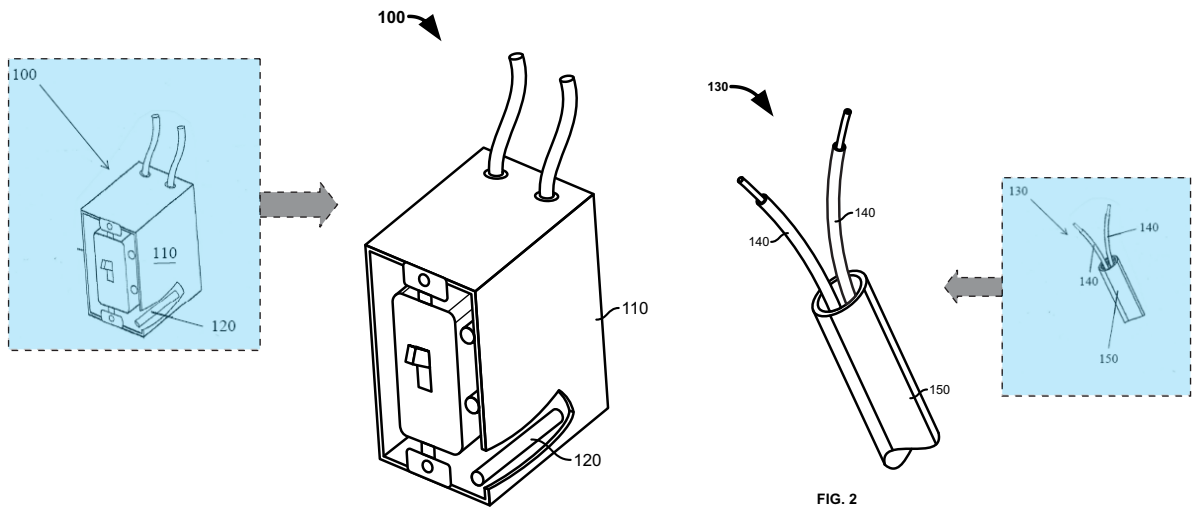
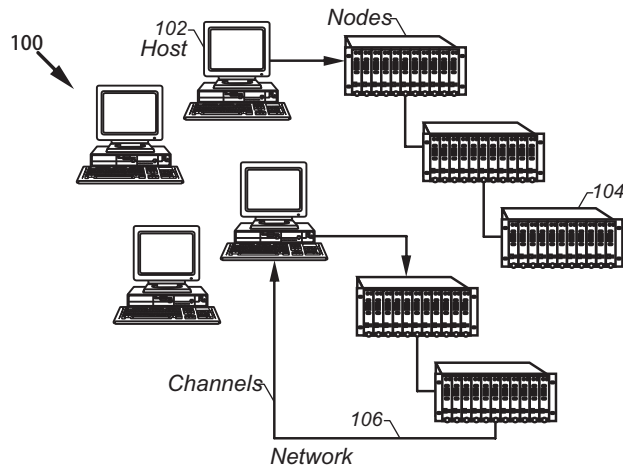


FIG. 1



Client Note:
 If it is possible for them to show one more figure, with side view of the car and the occupant sitting in it, with an air-bag deployed between the occupant and the door, and the door being pushed a few inches outwards. Labeling of that figure would be Fig. 7

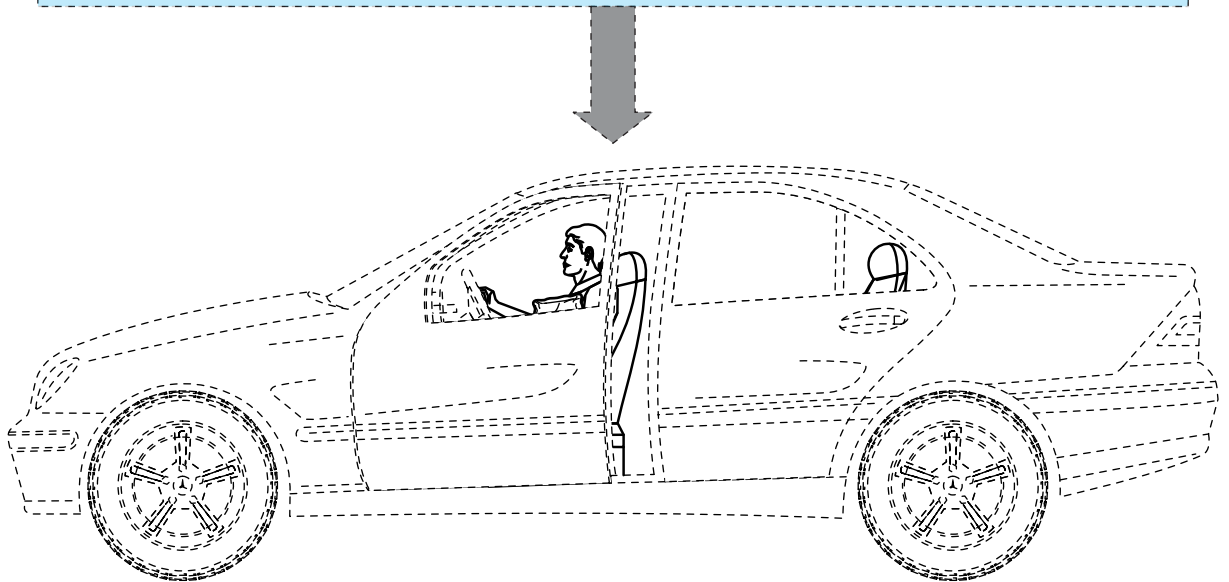
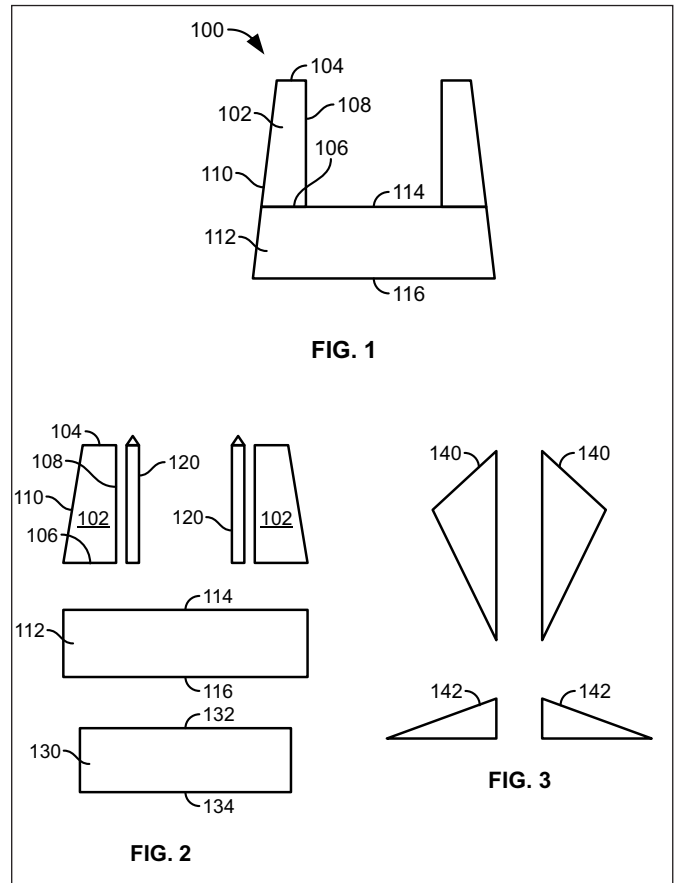
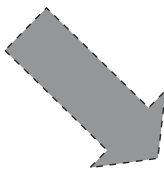
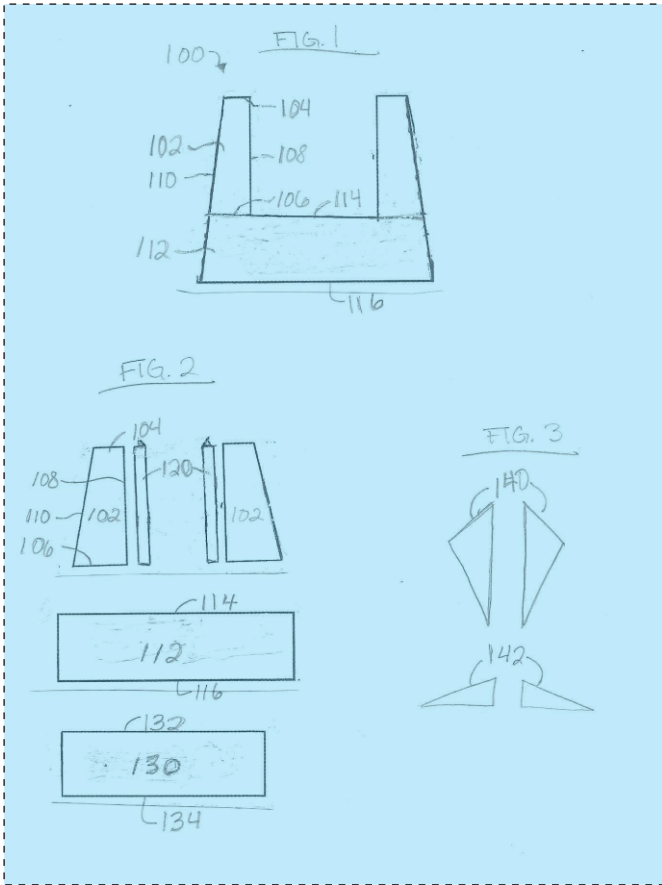
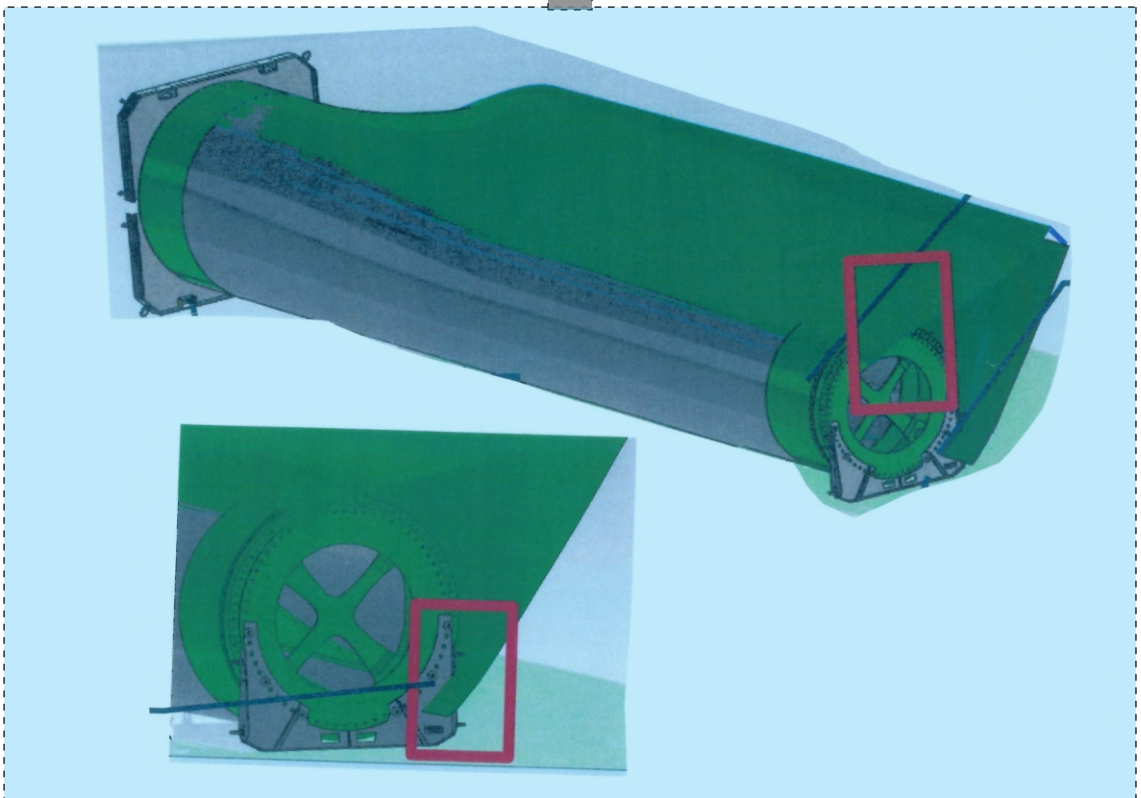
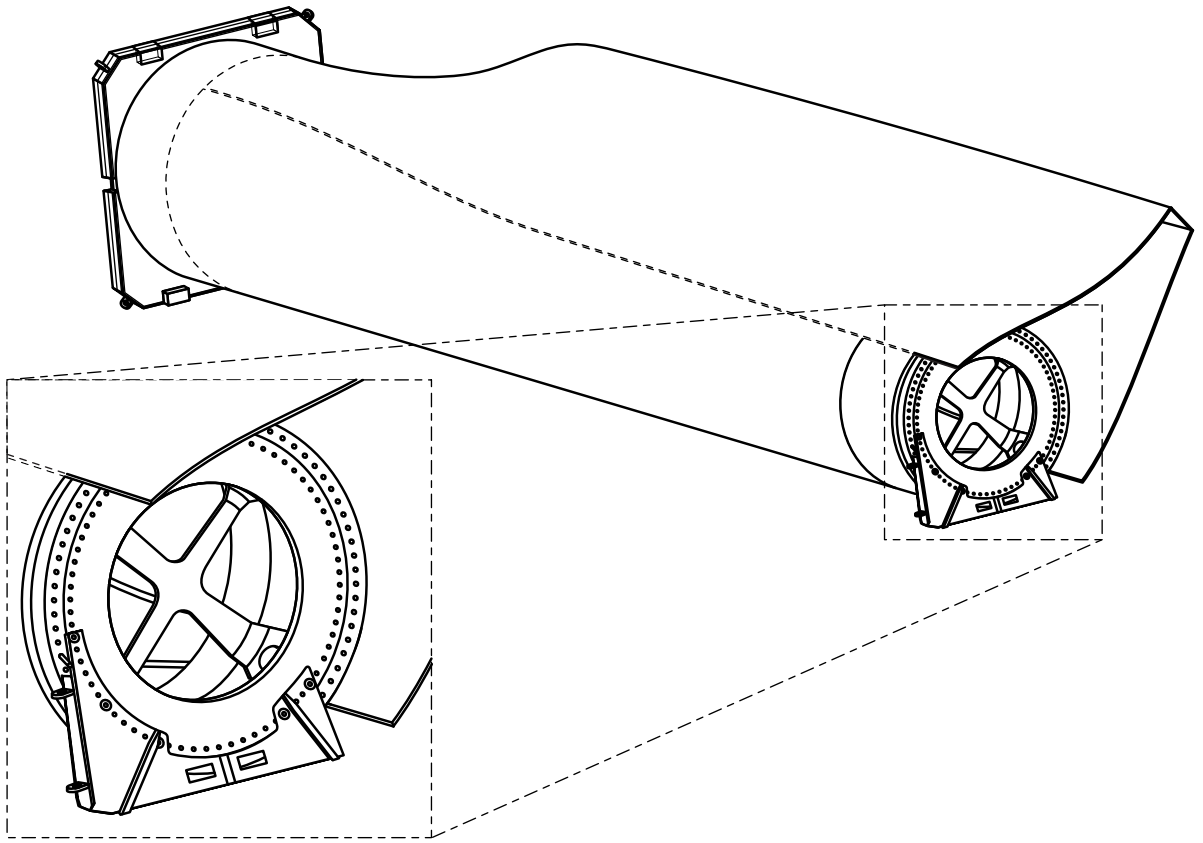
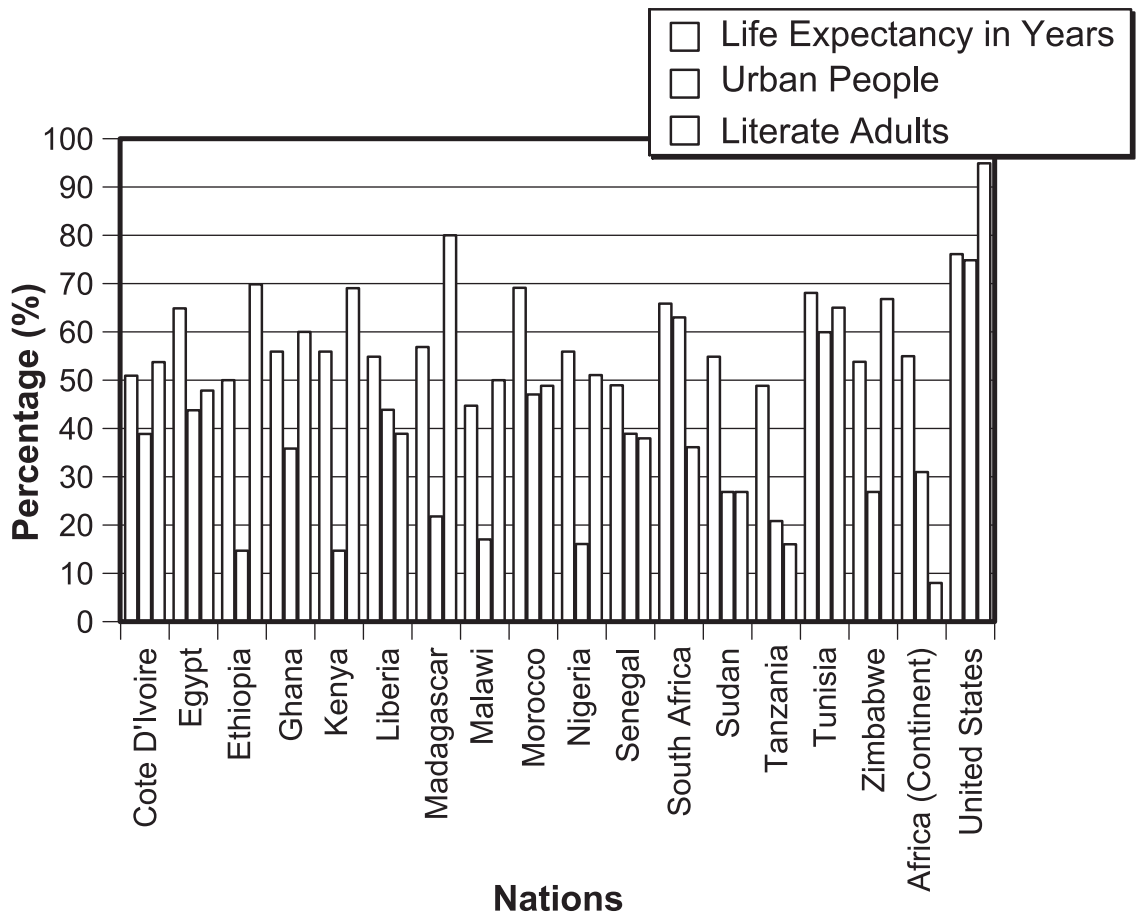
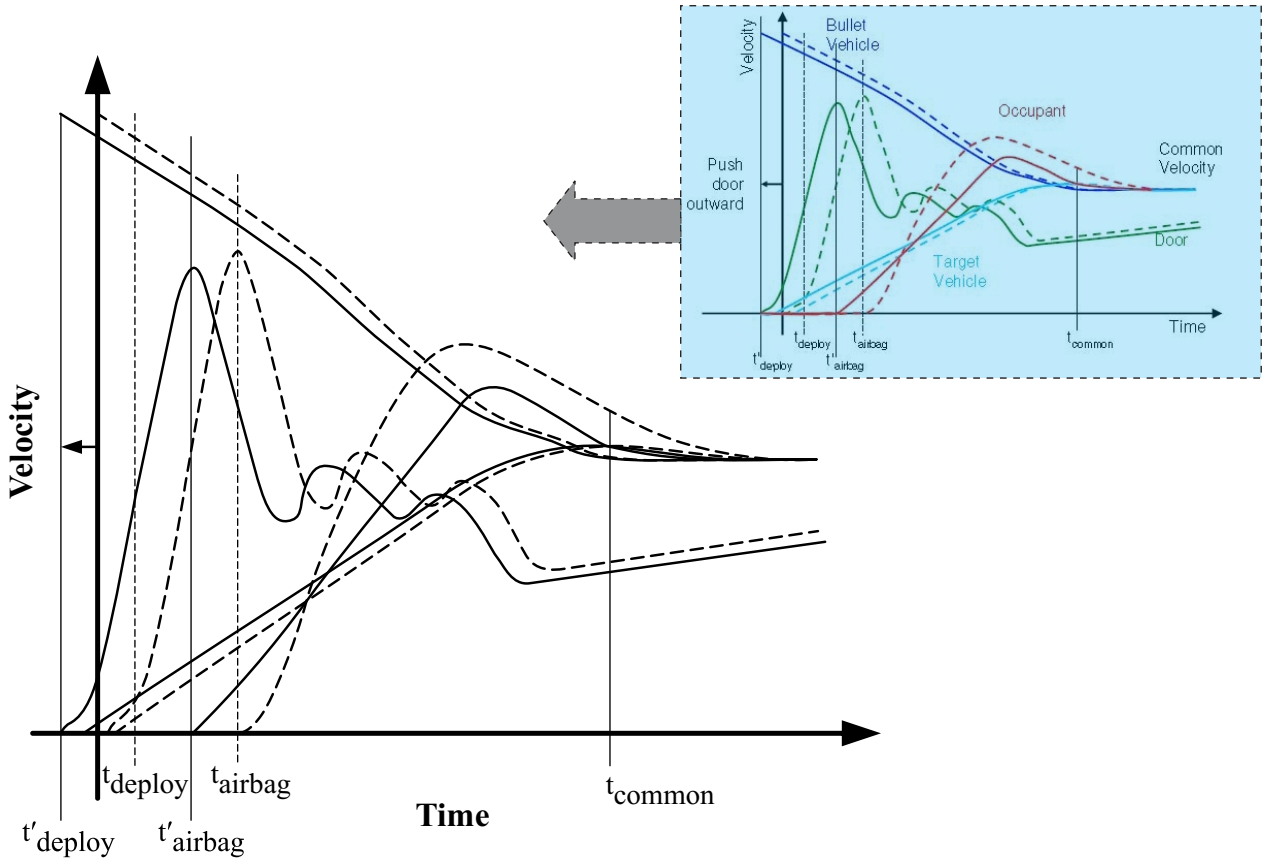
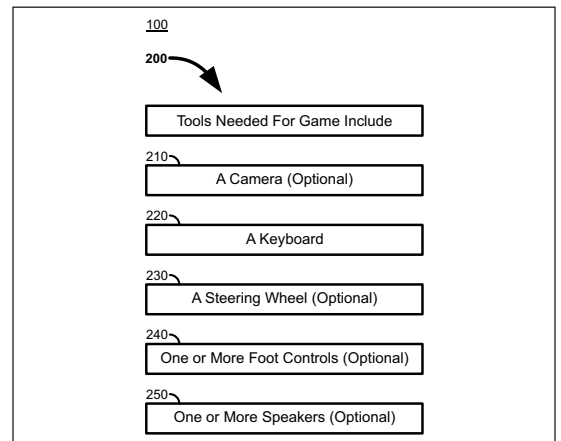
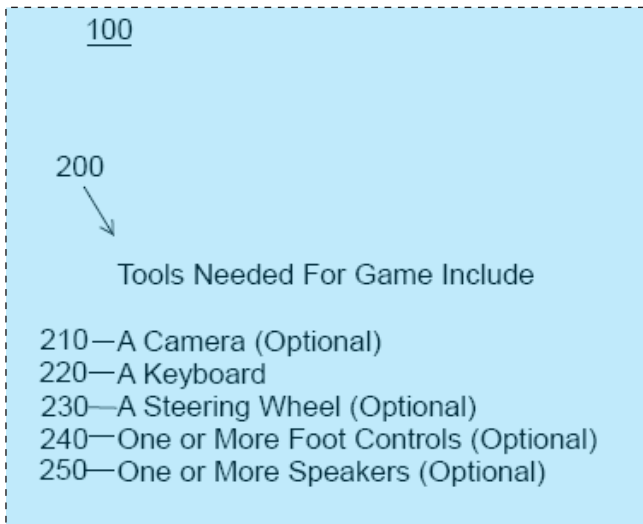


FIG. 7

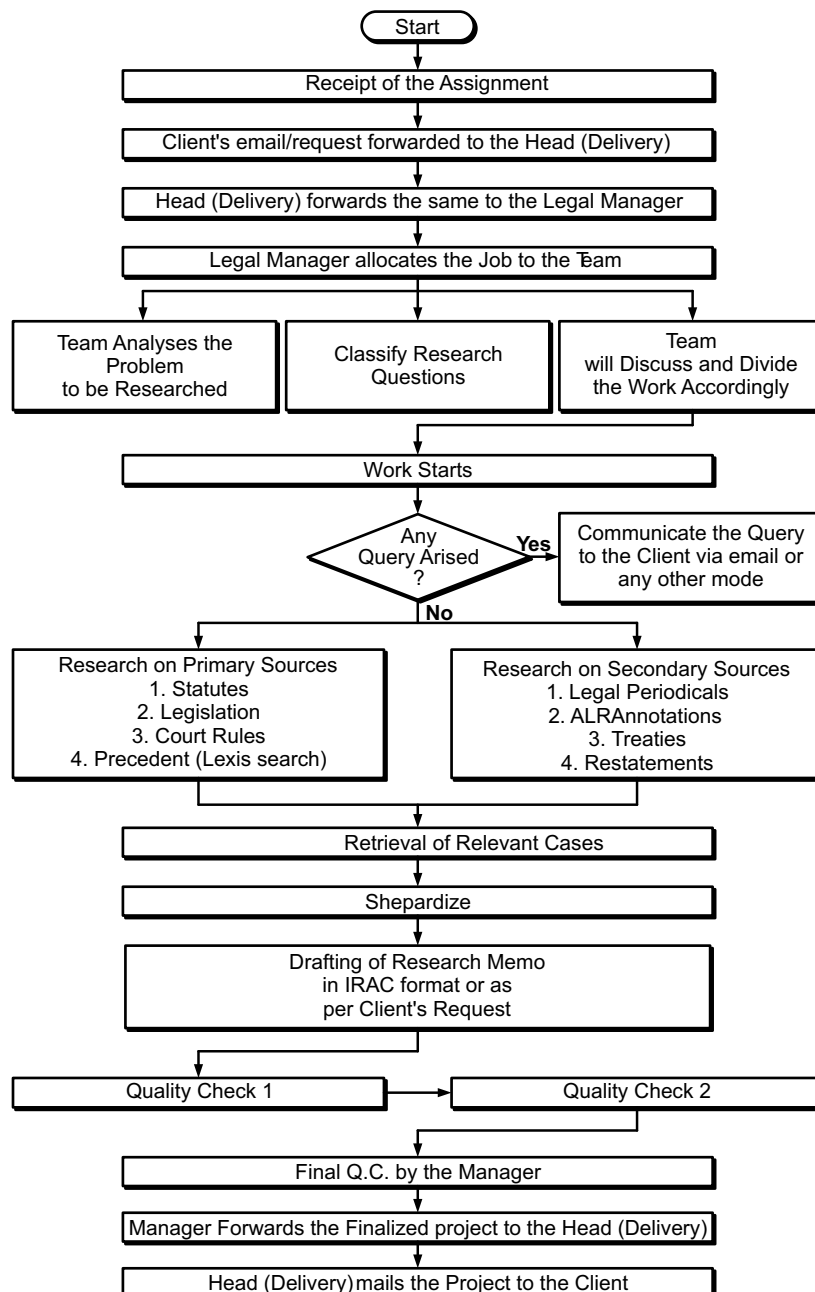


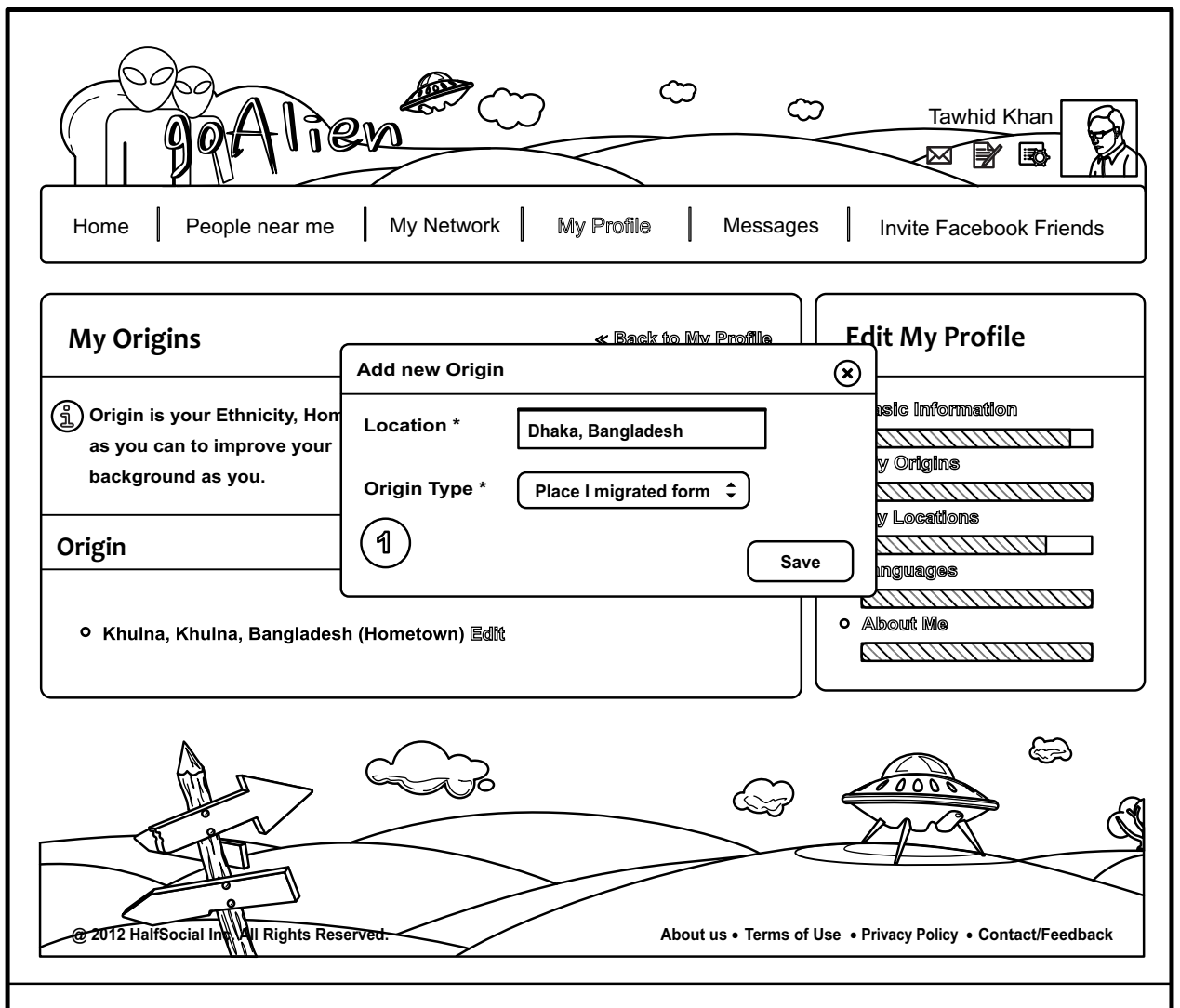
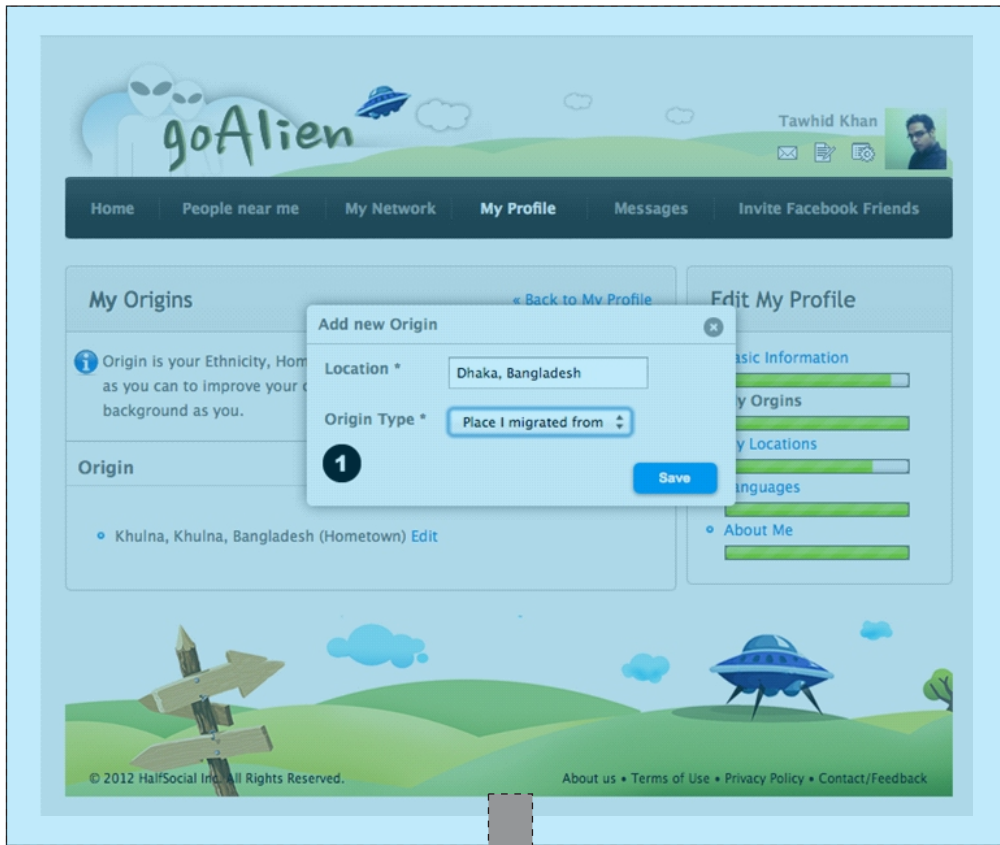


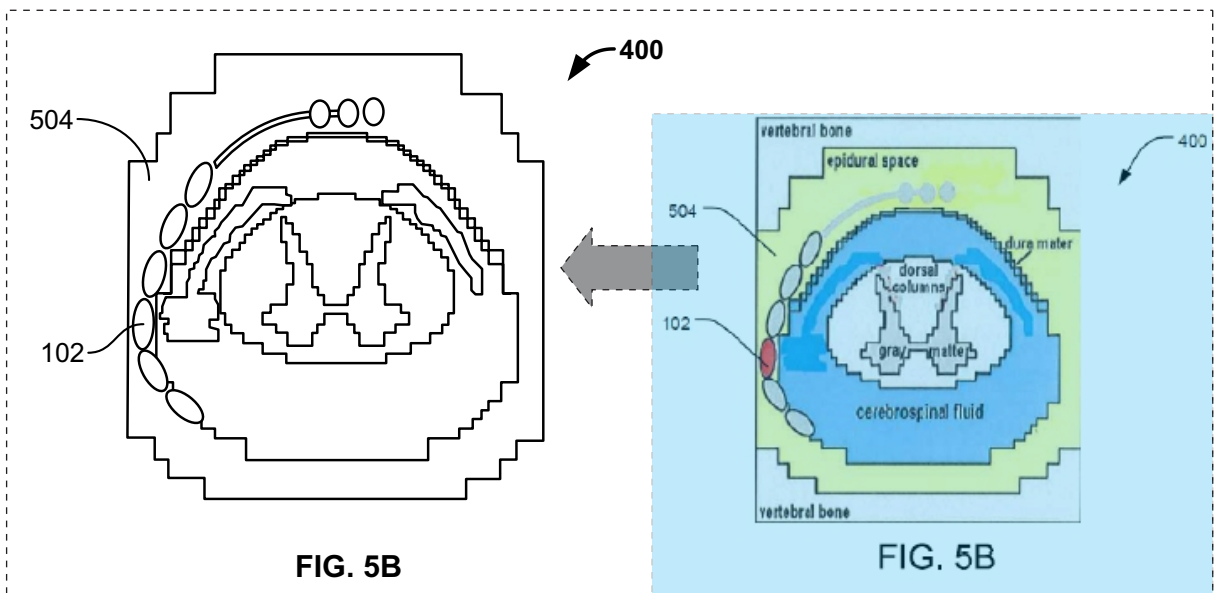
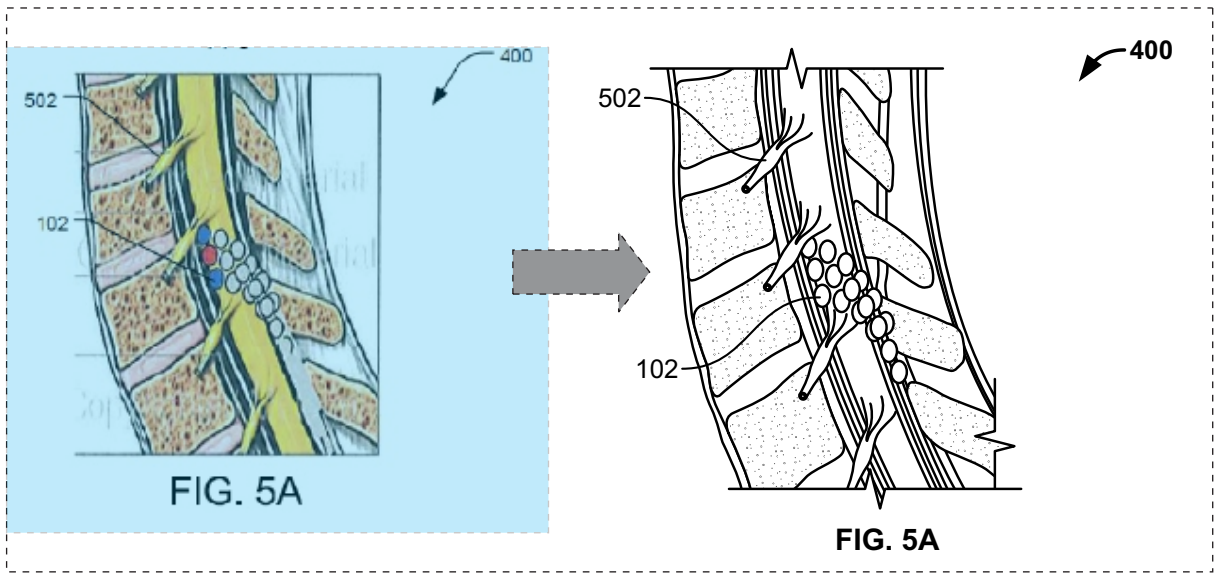
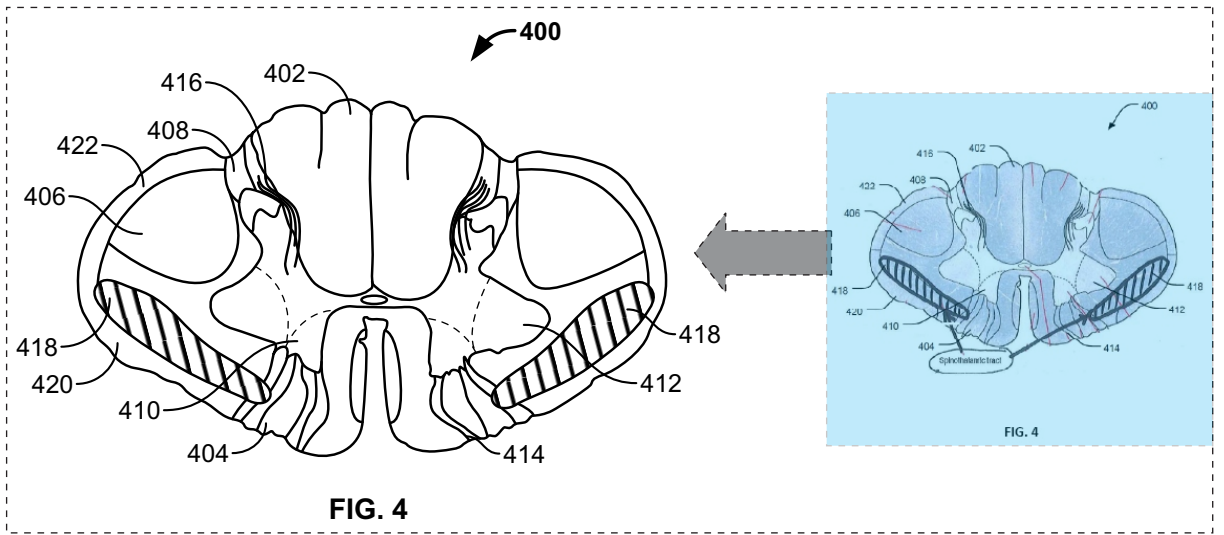




Legal Research Work Process







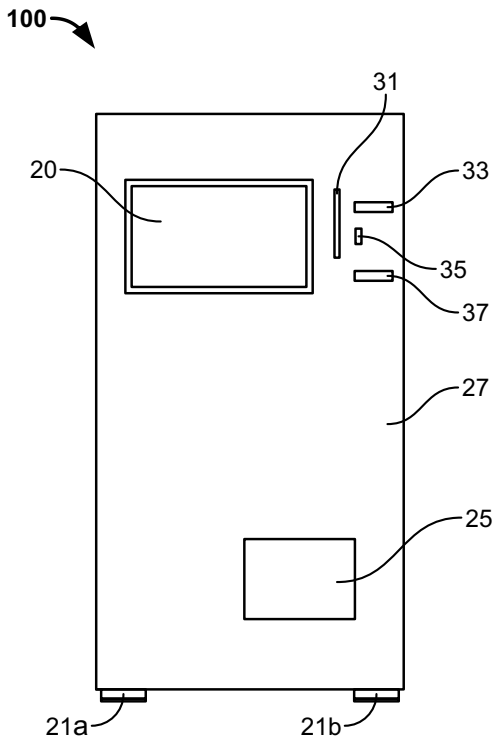


FIG. 1

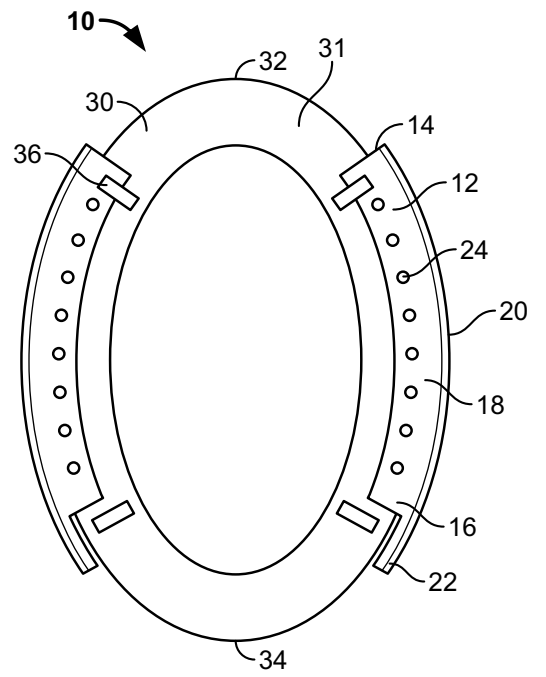


FIG. 2

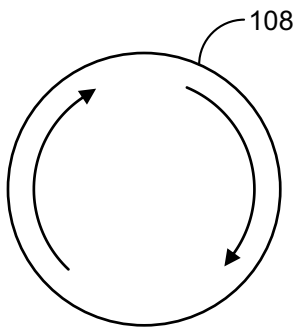


FIG. 3A

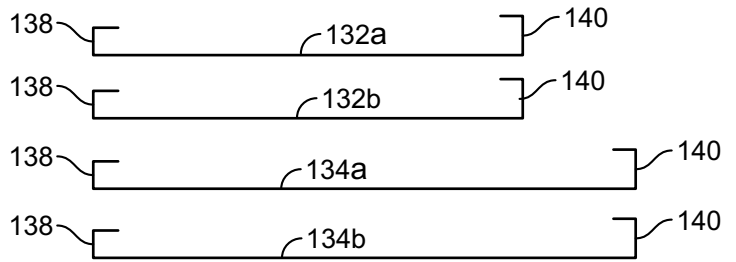


FIG. 3B

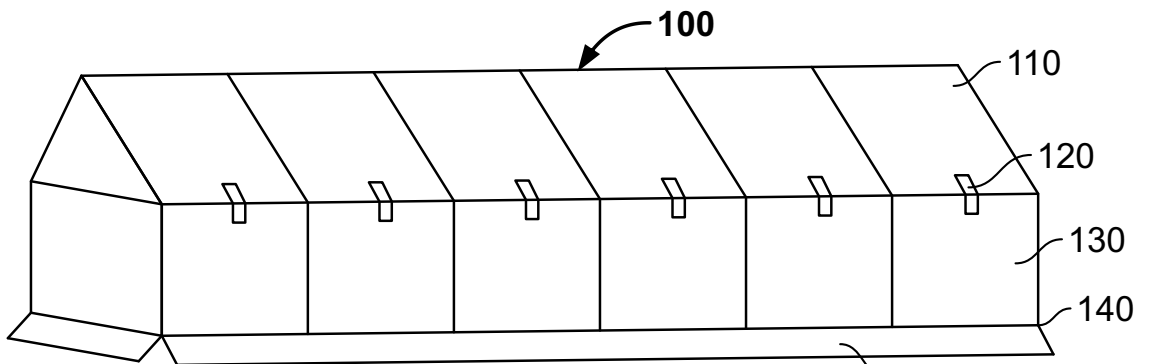


FIG. 4